

TECHNISEAL® APPLICATIONS:

- UL/CUL Listed Damp Location
- Cleanroom (Classes 100-100,000; ISO Classes 5-9)
- NSF Certified Food Processing (Splash Zone, Food Zone)
- Industrial & Commercial
- Transit

BENEFITS:

- Luminaires adaptable to your specific needs
- Unique 2 inch low profile design

FEATURES:

- Premium electronic ballast standard
- Available in stainless steel construction
- Every luminaire tested with lamps to assure customer satisfaction
- 5 year limited warranty
- Proudly made in **USA**

SPECIFICATIONS:

HOUSING:

Constructed of nominal 20GA (.036) zinc coated steel for unmatched corrosion protection. Knockouts on the back of the luminaire provide wireway access. All seams are sealed with a long life acrylic sealant.

Splash and Food Zone: Welded, tapered, threaded flanges on the back provide a sealed wireway.

Food Zone: All external metal components of stainless steel (S3 option std).

LENS FRAME:

Exclusively designed, heavy duty, extruded, anodized aluminum with stainless steel captive screws used to hold the lens frame tight to the housing. The frame is supported by two cables while servicing.

Food Zone: All external metal components of stainless steel (S3 option std).

GASKETING:

An extruded, ribbed vinyl gasket seals the lens into the frame, with our exclusive mechanically held, extruded, silicone gasket used to seal the frame to the housing.

Food Zone: Silicone sealant is used to seal the lens into the frame, with EPDM sealing the frame to the housing.

FINISH:

Painted surfaces are two mil white polyester enamel with a minimum reflectance of 88%, special colors available.

LENS:

.140 extruded prismatic acrylic with 50% DR content for durability, smooth side out.

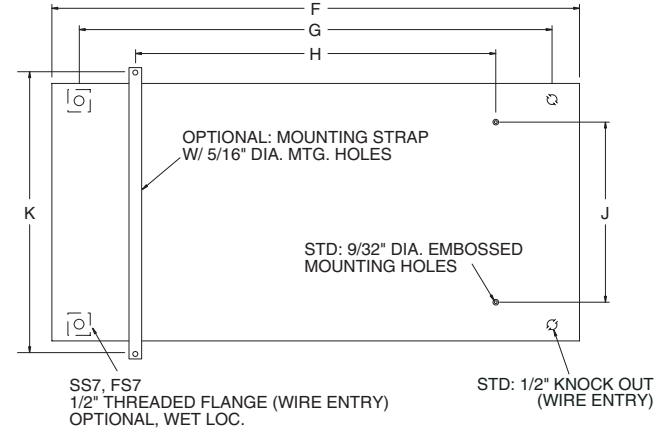
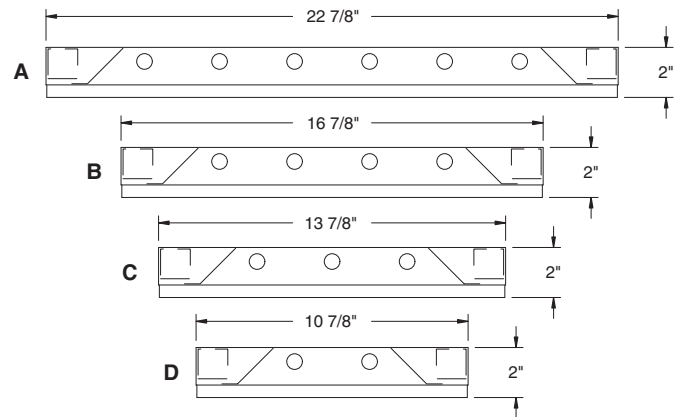
Food Zone: .156 extruded prismatic polycarbonate, smooth side out.

ELECTRICAL:

All ballasts and lampholders are UL Listed..

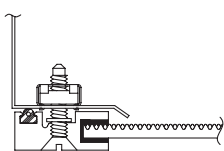
MOUNTING:

Surface or custom detail available for covered ceiling installations.

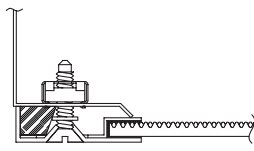


CROSS-SECTION	DIMENSIONS IN INCHES					CROSS-SECTION	DIMENSIONS IN INCHES				
	F	G	H	J	K		F	G	H	J	K
A 22 7/8"	22 7/8	20	16	16	24 1/8	C 13 7/8"	22 7/8	20	16	6	15 1/8
	34 7/8	30	16	16	24 1/8		34 7/8	30	16	6	15 1/8
	46 7/8	42	32	16	24 1/8		46 7/8	42	32	6	15 1/8
B 16 7/8"	22 7/8	20	16	10	18 1/8	D 10 7/8"	22 7/8	20	16	4 1/2	12 1/8
	34 7/8	30	16	10	18 1/8		34 7/8	30	16	4 1/2	12 1/8
	46 7/8	42	32	10	18 1/8		46 7/8	42	32	4 1/2	12 1/8

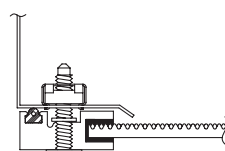
LENS FRAME DETAILS:



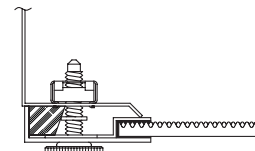
ALUMINUM
LENS FRAME DETAIL



STAINLESS STEEL
LENS FRAME DETAIL



SPLASH ZONE
LENS FRAME DETAIL



FOOD ZONE
LENS FRAME DETAIL

