



R5 Series

HID | SURFACE **S**



HID ROUND RAMP LITE APPLICATIONS:

- UL/CUL Listed Wet Location
- UL/CUL Hazardous Location (Class I, Division 2; Groups A,B,C & D)
- Industrial & Commercial
- Transit

BENEFITS:

- Luminaires adaptable to your specific needs

FEATURES:

- Available in stainless steel construction
- Every luminaire tested with lamps to assure customer satisfaction
- 5 year limited warranty
- Proudly made in **USA**

SPECIFICATIONS:

HOUSING:

Constructed of nominal 20GA (.036) zinc coated steel for unmatched corrosion protection. One welded, tapered, threaded flange (hub for hazardous location) on the top provides a sealed wireway access. All seams are sealed with a long life acrylic sealant.

REFLECTOR:

Fabricated of zinc coated steel, painted with a minimum reflectance of 88%.

GASKETING:

.187 closed cell sponge silicone is used to seal the lens to the housing.

FINISH:

Painted surfaces are two mil of white polyester enamel, special colors available.

LENS:

UV stabilized, injection molded, light controlled, acrylic with closed bottom. Type V distribution.

ELECTRICAL:

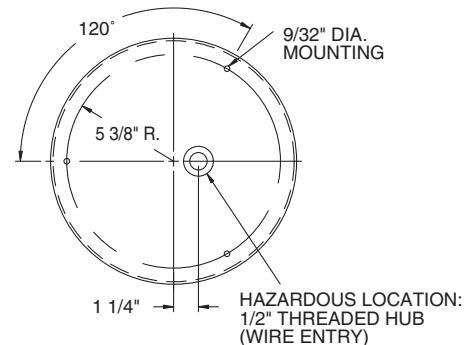
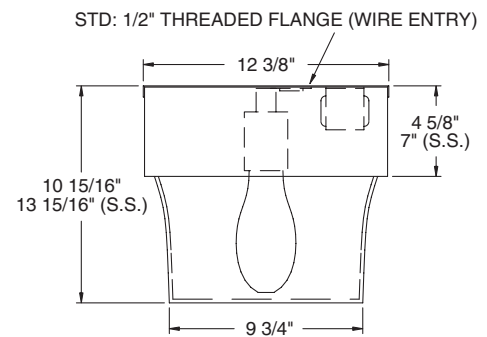
Core and coil ballast standard. Porcelain mogul base lampholder has a nickel plated screw shell. Mogul base lampholder is provided for 100W lamp, all others provided with medium base lampholder.

MOUNTING:

Surface, pendant or custom detail available for covered ceiling installations.

TEMPERATURE:

Class I, Div. 2 - T2C (230°C).





Hazardous Location:

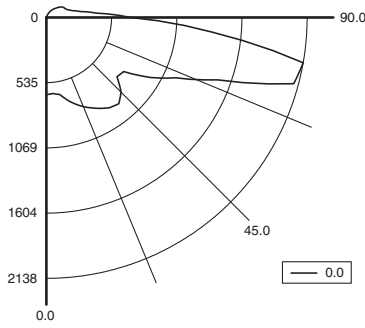


R5 Series



PHOTOMETRICS: For additional photometry, go to paramountlighting.com

Model R5100S5, White Painted Interior And Closed Acrylic Lens, 1 100W HPS Lamp, Lamp Lumen Rating = 9500



Coefficients of Utilization, Zonal Cavity Method

Floor Cavity Reflectance: 20%

RC	.8			.7			.5			.3			.1			0		
RW	.7	.5	.3	.1	.7	.5	.3	.1	.5	.3	.1	.5	.3	.1	.1	0		
R 0	104	104	104	100	100	100	93	93	93	87	87	87	81	81	81	78		
C 1	86	78	71	64	82	75	68	62	68	63	58	62	58	54	57	53	50	47
R 2	74	63	53	45	70	60	51	43	54	47	40	49	43	37	44	39	35	31
3	66	52	42	33	62	50	40	32	45	37	30	41	34	28	37	31	26	23
4	59	45	34	26	56	43	33	25	39	30	24	35	28	22	31	25	20	17
5	54	39	29	21	51	37	28	21	34	26	19	31	24	18	28	22	17	14
6	50	35	25	18	47	33	24	17	30	22	16	27	20	15	25	19	14	11
7	46	31	22	15	43	30	21	15	27	20	14	25	18	13	23	17	12	10
8	42	28	19	13	40	27	19	13	25	17	12	23	16	11	21	15	10	8
9	39	26	17	12	37	25	17	11	23	16	11	21	14	10	19	13	9	7
10	37	24	16	10	35	23	15	10	21	14	9	19	13	9	18	12	8	6

Zonal Lumen Summary

Zone	Lumens	% Lamp	% Luminaire
0-30	641	6.7	7.5
0-40	1206	12.7	14.1
0-60	2603	27.4	30.4
0-90	7387	77.8	86.1
90-120	905	9.5	10.6
90-130	1040	10.9	12.1
90-150	1170	12.3	13.6
90-180	1189	12.5	13.9
0-180	8576	90.3	100

Total Luminaire Optical Efficiency = 90.3%

Spacing Criterion: 1.96

HID ROUND RAMP LITE ORDERING INFORMATION:

SERIES	LAMP WATTS	LAMP TYPE	LENS	OPT MAT	OPTIONS	VOLTAGE
R5 Wet Location ZR5 Hazardous	35 Medium Base, HPS Only 50 Medium Base 70 Medium Base 100 Medium Base	M MH S HPS	5 Closed Bottom Acrylic (base) 6 Closed Bottom Polycarbonate 7 Open Bottom Acrylic (N/A Haz. Loc.) 8 Open Bottom Polycarbonate (N/A Haz. Loc.)		FUSING F2 GMF/HLR Fusing (Slow) MISC M1 Pendant Mount (Pendants By Others) M2 Mounting Bracket Kit (Surface) P9 Special Paint Color (Provide Paint Code & Chip) S1 Special Material (Consult Agent) Add hyphens between options	120V/60Hz STD 208V/60Hz 240V/60Hz 277V/60Hz 347V/60Hz 480V/60Hz 50Hz Available

*S3 Stainless Steel Exterior

* Note:
If Stainless Steel is ordered,
304 SS Standard
316 SS and other materials
available, consult agent.

Project Information:

Information subject to change without notice. Lamps supplied by others.

© 2010 Paramount Industries, Inc. P.O. Box 259 Crosswell, MI 48422