



HB3/PB3 32" RA Series FLUORESCENT | FLANGE



Shown with optional equipment

32" BOOTH LITE APPLICATIONS:

- UL/CUL Listed Wet Location
- UL/CUL Hazardous Location (Class I, Division 2; Groups A, B, C & D Class II, Division 2; Groups F & G)
- UL Listed Hazardous Location Spray Booth

BENEFITS:

- Rear access
- HB Series Suitable for UL Class I, Div.2 and Class II, Div.2 locations
- PB Series Suitable for paint spray booths

FEATURES:

- Adjustable specular reflector system available
- Premium electronic ballast standard
- Every luminaire tested with lamps to assure customer satisfaction
- 5 year limited warranty
- Proudly made in **USA**

SPECIFICATIONS:

HOUSING:

Constructed of nominal 20GA (.036) zinc coated steel for unmatched corrosion protection. One welded, tapered, threaded hub provides a sealed wireway access. All seams are sealed with long life acrylic sealant.

REFLECTOR:

Fabricated of zinc coated steel, painted with a minimum reflectance of 88%.

OPTIONAL REFLECTOR SYSTEM:

Clear tempered glass lens (H6 option) and fully adjustable individual specular reflectors (R9 option) designed to independantly direct light from each lamp.

REAR ACCESS DOOR:

22GA (.030) zinc coated steel. Door is secured in place with captive screws. EPDM gasket seals door to housing. Two fold-down handles provide easy removal for servicing.

GASKETING:

Non-silicone gasket used to seal lens to mounting flange.

FINISH:

Painted surfaces are two mil of white polyester enamel.

LENS:

.187 Pattern 62 tempered glass held in place with continuous angles.

ELECTRICAL:

All ballasts and lampholders are UL Listed.

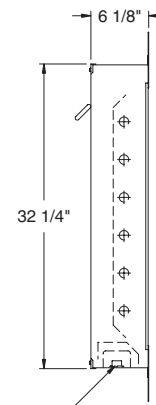
MOUNTING:

Supplied with 16GA (.060) stainless steel flange. 304 SS standard, 316 SS and other materials also available. Custom size flanges available. Contact Sales Representative for information.

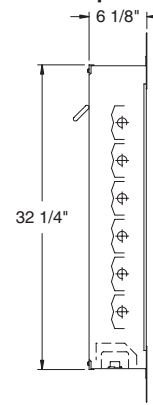
TEMPERATURE CODE:

Class I, Div. 2= T4 (135°C); Class II, Div. 2= T3C (160°C)

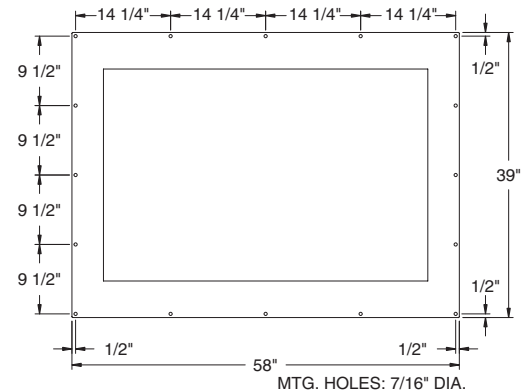
STD Reflector



R9 Option



1/2" THREADED HUB (WIRE ENTRY)



NOMINAL HOUSING DIMENSIONS IN INCHES		
LUMINAIRE	HOUSING	PANEL CUT-OUT SIZE
2 FT x 4 FT	32 1/4 x 48 1/4	34 1/2 x 50 3/4



Hazardous Location:

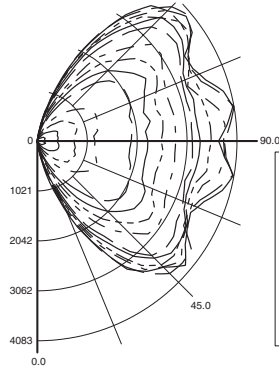


HB3/PB3 32" RA Series



PHOTOMETRICS: For additional photometry, go to paramountlighting.com

Model PB36329-H6-R9-RA, 4FT, Adjust. Specular Reflectors And Clear Tempered Glass Lens, 6 32W T8 Fluorescent Lamps, Lamp Lumen Rating = 2900



Coefficients of Utilization, Zonal Cavity Method

Floor Cavity Reflectance: 20%

RC	.8				.7				.5				.3				.1				0
RW	.7	.5	.3	.1	.7	.5	.3	.1	.5	.3	.1	.5	.3	.1	.5	.3	.1	.5	.3	.1	0
R 0	75	75	75	75	69	69	69	69	58	58	58	48	48	48	39	39	39	35	35	35	35
C 1	65	60	56	52	59	55	51	48	46	43	40	37	35	33	29	27	26	22	22	22	22
R 2	57	50	45	40	52	46	41	37	38	34	30	30	27	24	25	22	19	19	17	14	11
3	51	43	36	31	47	39	33	29	32	27	24	25	22	19	19	17	14	11	11	11	11
4	46	37	30	25	42	34	28	23	28	23	19	22	18	15	16	14	11	8	8	8	8
5	42	33	26	21	38	30	24	19	24	19	16	19	15	12	14	11	9	7	7	7	7
6	38	29	22	17	35	26	20	16	21	17	13	17	13	10	13	10	7	5	5	5	5
7	35	26	19	15	32	23	18	13	19	14	11	15	11	9	11	8	6	4	4	4	4
8	33	23	17	13	29	21	15	11	17	13	9	14	10	7	10	7	5	3	3	3	3
9	30	21	15	11	27	19	14	10	15	11	8	12	9	6	9	6	4	3	3	3	3
10	28	19	13	9	25	17	12	9	14	10	7	11	8	5	8	6	4	2	2	2	2

Zonal Lumen Summary

Zone	Lumens	% Lamp	% Luminaire
0-30	263	2	2
0-40	764	4	6
0-60	2591	15	21
0-90	6061	35	50
90-120	3492	20	29
90-150	5848	34	48
90-180	6115	35	50
0-180	12176	70	100

Total Luminaire Optical Efficiency = 70.0%
Spacing Criterion: 0° = -0.01, 90° = -0.01

32" BOOTH LITE—REAR ACCESS ORDERING INFORMATION:

SERIES	LAMP QTY	LAMP TYPE	LENS	ACCESS	OPTIONS	VOLTAGE
32	6	F32T8 (4FT)	9	RA	EMERGENCY B9 Bodine B65U Hazardous Location (0-50°C)	120V/60Hz Stan-
48T8H	7*	F48T8/HO (4FT)	.187 Tempered Glass (P62)		BALLASTS D4 < 10% THD (Consult Factory) E2 2 Electronic Ballasts E3 3 Electronic Ballasts E8 High Light Output 32W T8 Ballast E9 Rapid Start Electronic Ballast	277V/60Hz 347V/60Hz
	8*				FUSING F1 GLR/HLR Fusing (Fast) F2 GMF/HLR Fusing (Slow)	50Hz & Other Voltages Available
					LENSING H5 .156 C73 Tempered Glass H6 .187 Clear Tempered Glass	
					MISC R5 Specular Aluminum Reflector R9 Adjustable Specular Aluminum Reflector System	

Add hyphens between options

* Not available with the R9 Optional Adjustable Reflector System

Project Information:

Information subject to change without notice. Lamps supplied by others.

© 2005 Paramount Industries, Inc. P.O. Box 259 Crosswell, MI 48422