



L9 Series

FLUORESCENT | SURFACE **S**



LUMEN APPLICATIONS:

- UL/CUL Listed Damp Location
- Industrial & Commercial

BENEFITS:

- Luminaires adaptable to your specific needs

FEATURES:

- 50% DR high-impact acrylic lens
- Premium electronic ballast standard
- Available in stainless steel construction
- Every luminaire tested with lamps to assure customer satisfaction
- 5 year limited warranty
- Proudly made in **USA**

SPECIFICATIONS:

HOUSING:

Constructed of 20GA (.036) zinc coated steel for unmatched corrosion protection. Knockouts are provided on ends of the luminaire for wireway access.

REFLECTOR:

Fabricated of zinc coated steel, painted with a minimum reflectance of 88%.

GASKETING:

Extruded EPDM is used to seal the lens to the housing.

FINISH:

Painted surfaces are two mil white polyester enamel, special colors available.

LENS:

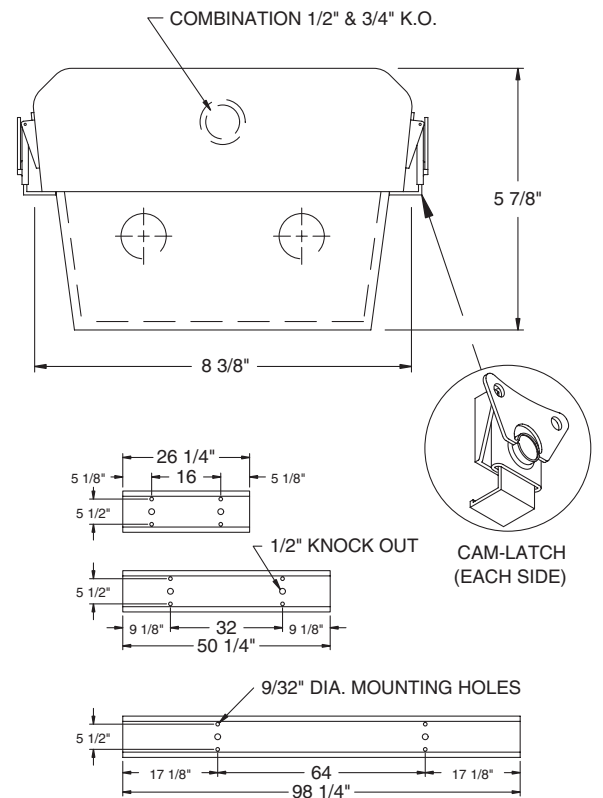
.125 extruded acrylic with 50% DR content for durability. Longitudinal prisms along the side combined with a bottom prismatic pattern control uplight and glare. Unique cam action latches secure the lens tight to the housing, with stainless steel safety wires to support the lens while servicing.

ELECTRICAL:

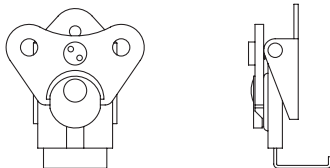
All ballasts and lampholders are UL Listed.

MOUNTING:

Surface, chain, pendant or custom detail available for covered ceiling installations. Surface mounted HO luminaires require a minimum 1 1/2" clearance (*Bracket kit supplied*).



TAMPER-PROOF LATCH ASSEMBLY

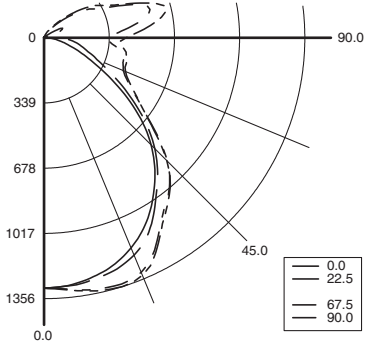




L9 Series

PHOTOMETRICS: For additional photometry, go to paramountlighting.com

Model L92325, 4FT, White Painted Interior and Light-controlled Acrylic Lens, 2 32W T8 Fluorescent Lamps, Lamp Lumen Rating = 3050



Coefficients of Utilization, Zonal Cavity Method

Floor Cavity Reflectance: 20%

RC	.8			.7			.5			.3			.1			0
RW	.7	.5	.3	.7	.5	.3	.5	.3	.1	.5	.3	.1	.5	.3	.1	0
R 0	93	93	93	93	89	89	89	81	81	81	73	73	73	67	67	64
C 1	83	79	75	72	79	76	72	69	69	66	64	63	60	58	57	55
R 2	76	69	63	58	72	66	60	56	60	56	55	51	48	50	47	45
3	69	60	54	48	65	58	52	47	53	48	44	44	41	44	41	38
4	63	53	46	41	60	51	45	40	47	41	37	43	38	35	39	36
5	58	48	40	35	55	46	39	34	42	36	32	39	34	30	35	31
6	54	43	36	31	51	41	35	30	38	32	28	35	30	27	32	28
7	50	39	32	27	47	37	31	26	34	29	25	32	27	23	29	25
8	46	35	29	24	44	34	28	23	32	26	22	29	24	21	27	23
9	43	32	26	21	41	31	25	21	29	24	20	27	22	19	25	21
10	40	30	23	19	38	29	23	19	27	22	18	25	20	17	23	19

Zonal Lumen Summary

Zone	Lumens	% Lamp	% Luminaire
0-30	1063	17.4	21.3
0-40	1723	28.2	34.5
0-60	2913	47.8	58.4
0-90	3911	64.1	78.4
90-120	860	14.1	17.2
90-130	996	16.3	20
90-150	1072	17.6	21.5
90-180	1077	17.7	21.6
0-180	4988	81.8	100

Total Luminaire Optical Efficiency = 81.8%
Spacing Criterion: 0° = 1.22, 90° = 1.33

LUME ORDERING INFORMATION:

SERIES	LAMP QTY	LAMP TYPE	LENS	OPT MATERIAL	OPTIONS	VOLTAGE
L9 Damp Location	1 2 T2 Tandem T4 2 Tandem		2 .125 Clear Acrylic (No Pattern) 4&8 FT Only 3 .125 White Acrylic (4&8 FT Only) 5 Square Prismatic Light Control Acrylic (base)		EMERGENCY (SPECIFY VOLTAGE) EM2 Bodine BDL700 WET/IOTA I-48-DL WET or similar EM3 Bodine BDL500 WET/IOTA I-320-DL WET or similar EM4 Bodine BDL900 WET/IOTA I-40-DL WET or similar BALLASTS (SPECIFY VOLTAGE) D1 Lutron Dimming ECO-10 D2 Electronic Dimming D4 < 10% THD (Consult Factory) E0 Low-Temp Electronic (N/A T12 RS & VHO) E2 2 Electronic Ballasts E9 Rapid Start Electronic Ballast FUSING F1 GLR/HLR Fusing (Fast) F2 GMF/HLR Fusing (Slow) LENSING J0 Lamp Sleeves (Specify Color) J8 Wire Guard MOUNTING M1 Pendant Mount (Pendants By Others) M2 Mounting Bracket Kit (Surface / Chain) M6 Angled Mounting Bracket (Consult Agent) MISC P9 Special Paint Color (Provide Paint Code & Chip) S1 Special Material (Consult Agent) T1 Stainless Steel Latches T3 Tamper Resistant Latches (Please Specify) W3 Remote Ballast Box Y6 Flex-Loc® Lamp Holder (Med Bi-Pin Only: T8, T12) Add hyphens between options	120V-277V/60Hz STD 347V/60Hz 50Hz & Other Voltages Available
40BX F40T5IT (2FT)		0°				
50BX F50T5IT (2FT)		0°				
14T5 F14T5 (2FT)		0°				
17 F17T8 (2FT)		0°				
28T5 F28T5 (4FT)		0°				
32 F32T8 (4FT)		0°				
48H F48T12/HO (4FT)		-20°				
48T8H F48T8/HO (4FT)		-20°				
54T5H F54T5/HO (4FT)		0°				
96H F96T12/HO (8FT)		-20°				
96T8 F96T8 (8FT) (59W)		50°				
96T8H F96T8/HO (8FT)		-20°				
TANDEM LAMPS						
Tandem lamps are tandem wired						
28T5 F28T5 (8FT)		0°				
32 F32T8 (8FT)		0°				

*S3 Stainless Steel Exterior
* Note: If Stainless Steel is ordered, 304 SS Standard 316 SS and other materials available, consult agent.

Other Wattages Available, Consult Factory.

Project Information:

Information subject to change without notice. Lamps supplied by others.

© 2010 Paramount Industries, Inc. P.O. Box 259 Croswell, MI 48422