

CORNER LITE APPLICATIONS:

- UL/CUL Listed Wet Location
- Cleanroom (Classes 100-100,000; ISO Classes 5-9)
- NSF Certified Food Processing (Splash Zone, Food Zone)
- Industrial & Commercial
- Transit

BENEFITS:

- Luminaires adaptable to your specific needs

FEATURES:

- Linear T5 lamp technology
- Premium electronic ballast standard
- Available in stainless steel construction
- Every luminaire tested with lamps to assure customer satisfaction
- 5 year limited warranty
- Proudly made in **USA**

SPECIFICATIONS:

HOUSING:

Constructed of nominal 20GA (.036) zinc coated steel for unmatched corrosion protection. Knockouts on back of luminaire and end caps provide wireway access. All seams are sealed with a long life acrylic sealant.

Food Zone: All external metal components of stainless steel (S3 option std).

REFLECTOR:

Fabricated of zinc coated steel, painted with a minimum reflectance of 88%.

LENS FRAME:

Exclusively designed, heavy duty, extruded, anodized aluminum with captive screws used to hold the lens frame tight to the housing. The frame is supported by two cables while servicing.

Food Zone: All external metal components of stainless steel (S3 option std).

GASKETING:

An extruded, ribbed vinyl gasket seals the lens into the frame; with our exclusive, mechanically held, extruded, silicone gasket used to seal the frame to the housing.

Splash Zone: Silicone sealant is used to seal the lens into the frame.

Food Zone: Silicone sealant is used to seal the lens into the frame, with extruded EPDM sealing the frame to the housing.

FINISH:

Painted surfaces are two mil white polyester enamel, special colors available.

LENS:

.140 extruded prismatic acrylic with 50% DR content for durability, smooth side out.

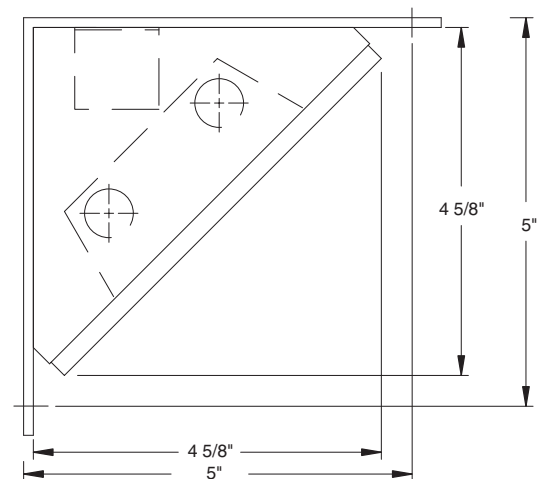
Food Zone: .156 extruded prismatic polycarbonate, smooth side out.

ELECTRICAL:

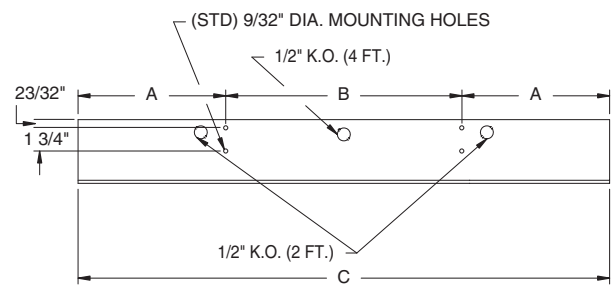
All ballasts and lampholders are UL Listed.

MOUNTING:

Surface or custom detail available for covered ceiling installations.



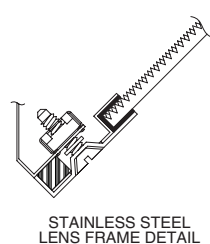
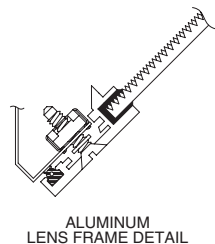
OPTIONAL MOUNTING STRAP: 5/16" DIA. MTG. HOLES



LENGTH	DIMENSIONS IN INCHES		
	A	B	C
2 FT	3 5/16	16	22 5/8
4 FT	7 1/8	32	46 1/4

LENS FRAME DETAILS:

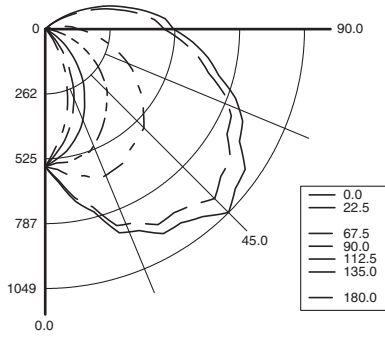
TAMPER RESISTANT SCREW HEADS
OPTION SUFFIX- T3





PHOTOMETRICS: For additional photometry, go to paramountlighting.com

Model K0228T54, 4FT, White Reflector and Prismatic Acrylic Lens, 2 28W T5 Lamps, Lamp Lumen Rating = 2900



Coefficients of Utilization, Zonal Cavity Method

Floor Cavity Reflectance: 20%

RC	.8			.7			.5			.3			.1			0		
RW	.7	.5	.3	.1	.7	.5	.3	.1	.5	.3	.1	.5	.3	.1	.5	.3	.1	0
R 0	49	49	49	49	47	47	47	47	44	44	44	41	41	41	38	38	38	37
C 1	43	41	38	36	42	39	37	35	37	35	33	34	33	31	32	30	29	28
R 2	39	35	31	29	37	34	30	28	31	29	26	29	27	25	27	25	24	22
3	35	30	26	23	34	29	25	23	27	24	22	25	23	20	23	21	19	18
4	32	26	22	19	31	26	22	19	24	21	18	22	19	17	21	18	16	15
5	29	23	19	16	28	23	19	16	21	18	15	20	17	15	18	16	14	13
6	27	21	17	14	26	20	17	14	19	16	13	18	15	13	17	14	12	11
7	25	19	15	12	24	18	15	12	17	14	12	16	13	11	15	13	11	10
8	23	17	13	11	22	17	13	11	16	13	10	15	12	10	14	11	10	9
9	22	16	12	10	21	15	12	10	14	11	9	14	11	9	13	10	9	8
10	20	14	11	9	19	14	11	9	13	10	8	13	10	8	12	9	8	7

Zonal Lumen Summary

Zone	Lumens	% Lamp	% Luminaire
0-30	452	8	18
0-40	744	13	30
0-60	1394	24	57
0-90	2148	27	88
90-120	286	5	12
90-150	300	5	12
90-180	300	5	12
0-180	2448	42	100

Total Luminaire Optical Efficiency = 42%
Spacing Criterion: 0° = 2.32, 90° = 1.23

CORNER LITE ORDERING INFORMATION:

SERIES	LAMP QTY	LAMP TYPE	LENS	OPT MATERIAL	OPTIONS	VOLTAGE
K0 Wet Location Cleanroom	1 2 Standard		2 .125 Clear Acrylic (No Pattern) 3 .125 White Acrylic 4 .140 Prismatic Acrylic (P12) (base) 6 .125 Clear Polycarbonate (No Pattern) 7 .125 White Polycarbonate 8 .156 Prismatic Polycarbonate (P12) 9 .187 Tempered Glass (P62)		D4 BALLASTS (SPECIFY VOLTAGE) < 10% THD (Consult Factory) F1 FUSING GLR/HLR Fusing (Fast) F2 GMF/HLR Fusing (Slow) LENSING H2 .150 Extra Heavy Clear Acrylic H3 .150 Extra Heavy White Acrylic H5 .156 C73 Tempered Glass H6 .187 Clear Tempered Glass J2 .060 Clear Acrylic Overlay J6 .080 Clear Polycarbonate Overlay J9 RFI Lens (Specify Pattern) K3 .187 KSH-12 Acri-Tuf Acrylic K6 External Prisms (N/A Splash/Food Zones) MISC P9 Special Paint Color (Provide Paint Code & Chip) R5 Specular Aluminum Reflector S1 Special Material (Consult Agent) T3 Tamper Resistant (Hex w/pin STD, Others Avail) V3 No Silicone Sealant Used	120V-277V/60Hz STD 347V/60Hz 50Hz & Other Voltages Available
14T5 F14T5 (2FT)		0°	6 .125 Clear Polycarbonate (No Pattern) 7 .125 White Polycarbonate 8 .156 Prismatic Polycarbonate (P12)(base) 9 .187 Tempered Glass (P62)			
28T5 F28T5 (4FT)		0°				

*S2 Stainless Steel Housing
*S3 Stainless Steel Exterior
*S5 Stainless Steel Lens Frame Only
* Note:
If Stainless Steel is ordered,
304 SS Standard
316 SS and other materials
available, consult agent.

Add hyphens between options

Other Wattages Available, Consult Factory.

NSF Food Processing Note:

Food Zone (F prefix) luminaires come in DIRECT CONTACT with food.
Splash Zone (S prefix) units may become soiled, but are outside the danger of recontamination.

Information subject to change without notice. Lamps supplied by others.

© 2010 Paramount Industries, Inc. P.O. Box 259 Crosswell, MI 48422

Project Information: