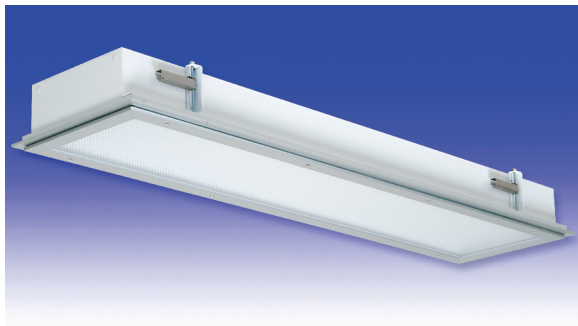




F1 Series

FLUORESCENT | FLANGE 



1x TECHNISEAL® APPLICATIONS:

- UL/CUL Listed Wet Location
- Cleanroom (Classes 100-100,000; ISO Classes 5-9)
- UL/CUL Hazardous Location (Class I, Division 2; Groups A, B, C & D; Class II, Division 2; Groups F & G)
- NSF Certified Food Processing (Splash Zone, Food Zone)
- Industrial & Commercial
- UL Listed Marine (Inside, Inside Drip-Proof)
- Transit

BENEFITS:

- Luminaires adaptable to your specific needs

FEATURES:

- Available with **IP 65 rating**, add -IP65 suffix (requires stainless steel lens frame & trim frame)
- Premium electronic ballast standard
- Available in Stainless Steel construction
- Every luminaire tested with lamps to assure customer satisfaction
- 5 year limited warranty
- Proudly made in **USA**

SPECIFICATIONS:

HOUSING:

Constructed of nominal 20GA (.036) zinc coated steel for unmatched corrosion protection. Two welded, tapered, threaded flanges on the top provide a sealed wireway access. All seams are sealed with a long life acrylic sealant.

REFLECTOR:

Fabricated of zinc coated steel, painted with a minimum reflectance of 88%.

LENS FRAME:

Exclusively designed, heavy duty, extruded, anodized aluminum with stainless steel captive screws used to hold the lens frame tight to the housing. The frame is hinged for support while servicing.

Food Zone: Lens frame and trim frame of stainless steel (S6 option std).

GASKETING:

An extruded, ribbed vinyl gasket seals the lens into the frame; with our exclusive, mechanically held, extruded, silicone gasket used to seal the frame to the housing.

Food Zone: Silicone sealant is used to seal the lens into the frame, with extruded EPDM sealing the frame to the housing.

FINISH:

Painted surfaces are two mil white polyester enamel, special colors available.

LENS:

.140 extruded prismatic acrylic with 50% DR content for durability, smooth side out.

Food Zone: .156 extruded prismatic polycarbonate, smooth side out.

ELECTRICAL:

All ballasts and lampholders are UL Listed.

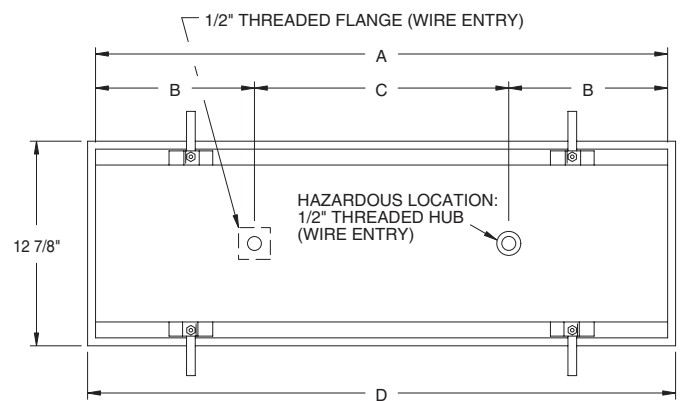
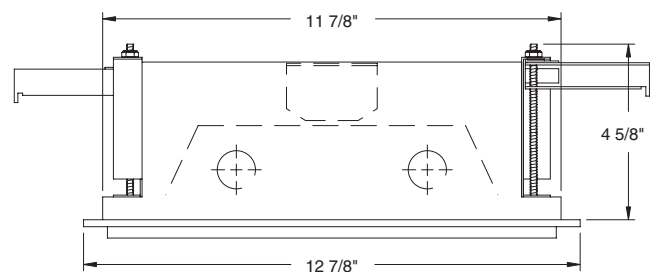
Marine: Utilizes a three gang terminal block for electrical connections.

MOUNTING:

Flange or custom detail available.

TEMPERATURE CODE:

Class I, Div. 2= T5 (100°C); Class II, Div. 2= T5 (100°C)



LENGTH	DIMENSIONS IN INCHES			
	A	B	C	D
1 FT	11 29/32	6	—	13
2 FT	23 31/32	5 3/8	13 1/4	25
3 FT	35 15/16	7	22	37 1/16
4 FT	47 15/16	5	38	49 1/16
6 FT	71 15/16	5	62	73 3/16
8 FT	95 15/16	5	86	97

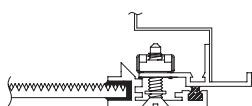
CUT-OUT DIMENSIONS:

1FT: 12 1/8" x 12 1/8"

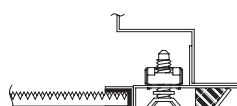
2FT: 12 1/8" x 24 1/4"

4FT: 12 1/8" x 48 1/4"

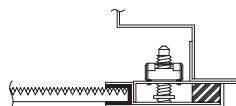
LENS FRAME DETAILS:



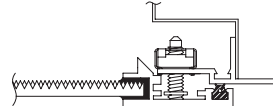
ALUMINUM
LENS FRAME DETAIL



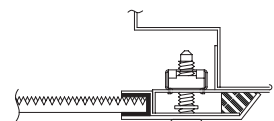
STAINLESS STEEL
LENS FRAME DETAIL



HAZ. LOC. STAINLESS STEEL
LENS FRAME DETAIL



SPLASH ZONE
LENS FRAME DETAIL



FOOD ZONE
LENS FRAME DETAIL



Hazardous Location:



Food Processing:

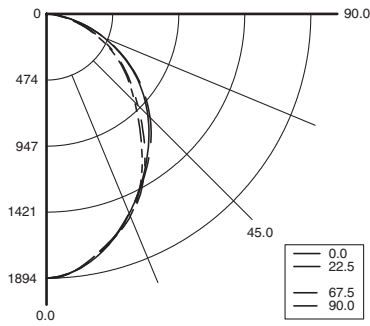


F1 Series



PHOTOMETRICS: For additional photometry, go to paramountlighting.com

Model F12324-R5, 4FT, Specular Reflector and Prismatic Acrylic Lens, 2 32W T8 Fluorescent Lamps, Lamp Lumen Rating = 3050



Coefficients of Utilization, Zonal Cavity Method

Floor Cavity Reflectance: 20%

RC	.8				.7				.5				.3				.1				0
RW	.7	.5	.3	.1	.7	.5	.3	.1	.5	.3	.1	.5	.3	.1	.5	.3	.1	.5	.3	.1	0
R 0	84	84	84	84	82	82	82	82	78	78	78	75	75	75	72	72	72	70	70	70	70
C 1	77	74	71	69	75	72	70	68	69	67	65	67	65	63	64	63	61	60	60	60	60
R 2	70	65	60	57	69	64	59	56	61	58	55	59	56	53	57	54	52	51	51	51	51
3	64	57	52	47	63	56	51	47	54	50	46	52	48	45	50	47	45	43	43	43	43
4	59	51	45	40	58	50	45	40	48	43	40	47	43	39	45	42	39	37	37	37	37
5	55	46	40	35	53	45	39	35	43	38	35	42	38	34	41	37	34	32	32	32	32
6	50	41	35	31	49	41	35	31	39	34	30	38	34	30	37	33	30	28	28	28	28
7	47	38	32	27	46	37	31	27	36	31	27	35	30	27	34	30	27	25	25	25	25
8	44	34	28	24	43	34	28	24	33	28	24	32	27	24	31	27	24	23	23	23	23
9	41	32	26	22	40	31	26	22	30	25	22	30	25	22	29	25	22	20	20	20	20
10	38	29	24	20	37	29	24	20	28	23	20	27	23	20	27	23	20	19	19	19	19

Zonal Lumen Summary

Zone	Lumens	% Lamp	% Luminaire
0-30	1346	22.1	31.2
0-40	2128	34.9	49.3
0-60	3545	58.1	82.2
0-90	4313	70.7	100
90-120	0	0	0
90-130	0	0	0
90-150	0	0	0
90-180	0	0	0
0-180	4313	70.7	100

Total Luminaire Optical Efficiency = 70.7%
Spacing Criterion: 0° = 1.09, 90° = 1.09

1x TECHNISEAL® FLANGE TROFFER ORDERING INFORMATION:

SERIES	LAMP QTY	LAMP TYPE	LENS	OPT MATERIAL	OPTIONS	VOLTAGE
F1 Wet Location Cleanroom	1* 2* Standard		2 .125 Clear Acrylic (No Pattern) 3 .125 White Acrylic 4 .140 Prismatic Acrylic (P12) (base) 6 .125 Clear Polycarbonate (No Pattern) 7 .125 White Polycarbonate 8 .156 Prismatic Polycarbonate (P12) 9 .187 Tempered Glass (P62)		EM2 Emergency (Specify Voltage) Bodine BDL700 WET/IOTA 1-48-DL WET or similar EM3 Bodine BDL500 WET/IOTA 1-320-DL WET or similar EM4 Bodine BDL900 WET/IOTA 1-40-DL WET or similar EM8 Bodine BHD65U HAZ. LOC. BALLASTS (SPECIFY VOLTAGE) D1 Lutron Dimming ECO-10 D2 Electronic Dimming D4 < 10% THD (Consult Factory) E0 Low-Temp Electronic (N/A T12 rs & VHO) E2 2 Electronic Ballasts E3 3 Electronic Ballasts E9 Rapid Start Electronic Ballast FUSING F1 GLR/HLR Fusing (Fast) F2 GMF/HLR Fusing (Slow) LENSING H0 Special Lens (Specify) H2 .150 Extra Heavy Clear Acrylic H3 .150 Extra Heavy White Acrylic H5 .156 C73 Tempered Glass H6 .187 Clear Tempered Glass J2 .060 Clear Acrylic Overlay J6 .080 Clear Polycarbonate Overlay J7 Louver (Specify) MISC IP65 IP rated (-S6 option required) P1 Zinc Coated Steel Plaster Frame P3 Stainless Steel Plaster Frame P9 Special Paint Color (Provide Paint Code & Chip) R5 Specular Aluminum Reflector S1 Special Material (Consult Agent) T3 Tamper Resistant (Hex w/pin STD, Others Avail) W4 Inboard Outboard Wiring (Dual Switching) Y5 RFI Suppressors	120V-277V/60Hz STD 347V/60Hz 50Hz & Other Voltages Available
188X F18T5T (13")	0°		6 .125 Clear Polycarbonate (No Pattern) 7 .125 White Polycarbonate 8 .156 Prismatic Polycarbonate (P12) (base) 9 .187 Tempered Glass (P62)			
26QD 26W G24Q 4PIN (1FT)	0°					
40BX F40T5T (2FT)	0°					
50BX F50T5T (2FT)	0°					
14T5 F14T5 (2FT)	0°					
17* F17T8 (2FT)	0°					
24T5H F24T5/HO (2FT)	0°					
25 F25T8 (3FT)	0°					
28T5 F28T5 (4FT)	0°					
31U* FB31T8/U 1 5/8" (2FT) 1L	0°					
31U6* FB31T8/U 6" (2FT) 1L Only	0°					
32* F32T8 (4FT)	0°					
36H F36T12/HO (3FT)	-20°					
48H F48T12/HO (4FT)	-20°					
48T8H F48T8/HO (4FT)	-20°					
54T5H F54T5/HO (4FT)	0°					
72H F72T12/HO (6FT)	-20°					
96H F96T12/HO (8FT)	-20°					
96T8 F96T8 (8FT) (59W)	50°					
96T8H F96T8/HO (8FT)	-20°					
TANDEM LAMPS						
Tandem lamps are tandem wired						
25 F25T8 (6FT)	0°					
28T5 F28T5 (8FT)	0°					
32 F32T8 (8FT)	0°					

* Lamp Type Available for Hazardous Location.

Colored acrylic lens available, consult agent.

- *S2 Stainless Steel Housing
- *S3 Stainless Steel Exterior
- *S5 Stainless Steel Lens Frame Only
- *S6 SS Lens Frame & Trim Frame

* Note:
If Stainless Steel is ordered,
304 SS Standard
316 SS and other materials
available, consult agent.

Add hyphens between options

Other Wattages and Lengths Available, Consult Factory.

NSF Food Processing Note:

Food Zone (F prefix) luminaires come in DIRECT CONTACT with food.
Splash Zone (S prefix) units may become soiled, but are outside the danger of recontamination.

Information subject to change without notice. Lamps supplied by others.

© 2010 Paramount Industries, Inc. P.O. Box 259 Crosswell, MI 48422

Project Information: