



# C8 Series

FLUORESCENT | SURFACE **S**



### CRAFT LITE®

#### APPLICATIONS:

- UL/CUL Listed Wet Location
- UL/CUL Hazardous Location (Class I, Division 2; Groups A, B, C & D Class II, Division 2; Groups F & G)
- NSF Certified Food Processing (Splash Zone, Food Zone)
- Industrial & Commercial
- UL Listed Marine (Inside, Inside Drip-Proof)
- Transit

#### BENEFITS:

- Luminaires adaptable to your specific needs

#### FEATURES:

- Square version available
- Available in Stainless Steel construction
- Electronic ballast standard, unless specified
- Every luminaire tested with lamps to assure customer satisfaction
- 5 year limited warranty
- Proudly made in **USA**

## SPECIFICATIONS:

### HOUSING:

Constructed of 20GA (.036) zinc coated steel for unmatched corrosion protection. Featuring a double channel, one welded inside the other, with space between the channel sides to capture the diffuser. Threaded hubs are continuously welded into the channel ends providing a sealed wireway access. Removable plugs seal the hubs when not utilized.

**Food Zone:** All external metal components of stainless steel (S3 option std).

### OPTIONAL PREMIUM MATERIALS:

- S2** - 304 stainless steel outer channel.
- S3** - External metal components of 304 stainless steel.
- S4** - All metal components of 304 stainless steel.

### REFLECTOR:

Fabricated of zinc coated steel, painted with a minimum reflectance of 88%.

### END CAPS:

Die formed of 18GA (.048) stainless steel. A threaded, knurled ring secures the end cap to the luminaire housing. End caps secure lens.

### GASKETING:

EPDM is used in the housing channels and end caps.

### FINISH:

Painted surfaces are two mil of white polyester enamel. Special colors available.

### LENS:

One piece nominal .125 white translucent cell cast virgin acrylic.

**Food Zone:** One piece nominal .125 white polycarbonate.

Optional two piece lens with center joiner band.

### ELECTRICAL:

All ballasts and lampholders are UL Listed.

**Marine:** Utilizes a three gang terminal block for electrical connections.

### MOUNTING:

Surface, chain, or pendant options available

#### for covered ceiling installations.

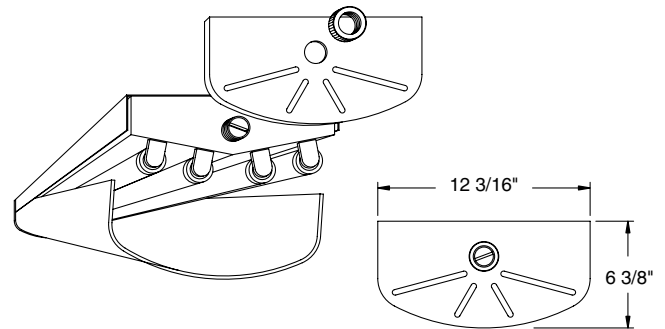
Continuous row luminaires manufactured with aligning pins and utilize joiner bands. Surface mounted HO luminaires require a minimum 1 1/2" clearance (Bracket kit supplied). For further information, contact Sales Representative.

**Splash and Food Zone:** Surface or continuous row for covered ceiling installations only.

**Marine:** Surface for covered ceiling installations only.

### TEMPERATURE CODE:

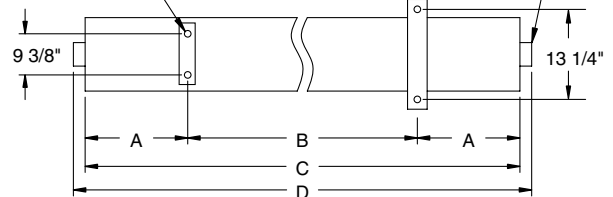
Class I, Div. 2= T4 (135°C); Class II, Div. 2= T3B (165°C)



1/8" x 1" BAR  
WELDED TO HOUSING  
W/ 9/32" DIA. MTG. HOLES  
(STD)

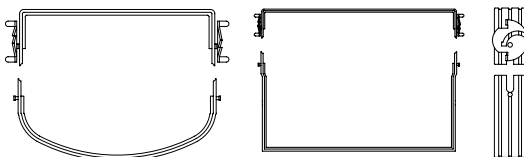
MOUNTING STRAP W/  
5/16" DIA. MTG. HOLES (MC8)

3/4" THREADED  
HUB W/ PLUG



LENGTH	DIMENSIONS IN INCHES			
	A	B	C	D
13"	3	6	12	13 1/8
16"	2 1/2	10	15	16 1/8
19"	4	10	18	19 1/8
2 FT	4 3/32	16	24 3/16	25 5/16
2 FT T5	3 11/32	16	22 11/16	23 13/16
3 FT	10 3/32	16	36 3/16	37 5/16
4 FT	8 3/32	32	48 3/16	49 5/16
4 FT T5	7 1/8	32	46 1/4	47 3/8
6 FT	12 3/32	48	72 3/16	73 5/16
6 FT TDM	12 3/16	48	72 3/8	73 1/2
8 FT	16 3/32	64	96 3/16	97 5/16
8 FT TDM	16 3/16	64	96 3/8	97 1/2

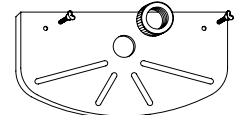
C8 JOINER BAND (N/A MC8)



SQUARE POLYCARBONATE LENS AND END CAP

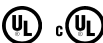


MARINE END CAP (MC8)





Hazardous Location:



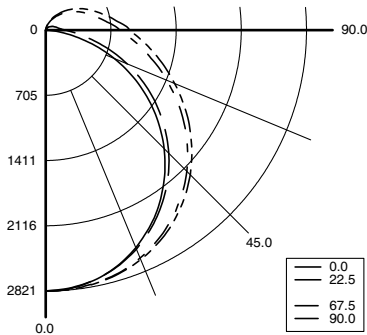
Food Processing:



# C8 Series

PHOTOMETRICS: For additional photometry, go to [paramountlighting.com](http://paramountlighting.com)

Model C84323, 4FT, White Painted Interior and White Acrylic Lens, 4 32W T8 Fluorescent Lamps, Lamp Lumen Rating = 3050



### Coefficients of Utilization, Zonal Cavity Method

Floor Cavity Reflectance: 20%

RC	.8				.7				.5				.3				.1				0
RW	.7	.5	.3	.1	.7	.5	.3	.1	.5	.3	.1	.5	.3	.1	.5	.3	.1	.5	.3	.1	0
R 0	105	105	105	101	101	101	101	101	94	94	94	87	87	87	81	81	81	78	78	78	78
C 1	94	89	84	80	90	86	81	78	79	76	73	74	71	68	68	66	64	61	61	61	61
R 2	85	76	70	64	81	74	67	62	68	63	59	63	59	55	59	55	52	50	50	50	50
3	77	66	58	52	73	64	57	51	60	53	48	55	50	46	51	47	44	41	41	41	41
4	70	58	50	44	67	56	49	43	52	46	41	49	43	39	45	41	37	34	34	34	34
5	64	52	43	37	61	50	42	36	47	40	35	44	38	33	41	36	32	29	29	29	29
6	59	47	38	32	56	45	37	31	42	35	30	39	33	29	37	32	28	25	25	25	25
7	55	42	34	28	52	41	33	28	38	31	26	36	30	25	33	28	24	22	22	22	22
8	51	38	30	25	49	37	30	24	35	28	23	33	27	23	31	26	22	20	20	20	20
9	47	35	27	22	45	34	27	22	32	25	21	30	24	20	28	23	19	18	18	18	18
10	44	32	25	20	42	31	24	20	29	23	19	28	22	18	26	21	18	16	16	16	16

### Zonal Lumen Summary

Zone	Lumens	% Lamp	% Luminaire
0-30	2222	18.2	19.9
0-40	3678	30.1	33
0-60	6723	55.1	60.3
0-90	9613	78.8	86.3
90-120	1118	9.2	10
90-130	1307	10.7	11.7
90-150	1492	12.2	13.4
90-180	1527	12.5	13.7
0-180	11140	91.3	100

Total Luminaire Optical Efficiency = 91.3%  
Spacing Criterion: 0° = 1.23, 90° = 1.35

## CRAFT LITE® LUMINAIRE ORDERING INFORMATION:

SERIES	LAMP QTY	LAMP TYPE	LENS	OPT MATERIAL	OPTIONS	VOLTAGE
<b>C8</b> Wet Location	4 Standard		2 .125 Clear Acrylic (No Pattern)		<b>EMERGENCY (SPECIFY VOLTAGE)</b>	120V-277V/60Hz STD
<b>HC8*</b> Hazardous	18 Tandem		3 .125 White Acrylic (base)		<b>EM2</b> Bodine BDL700 WET/IOTA I-48-DL WET or similar	347V/60Hz
<b>SC8</b> Splash Zone			4 .125 Prismatic Acrylic (P4)		<b>EM3</b> Bodine BDL500 WET/IOTA I-320-DL WET or similar	50Hz & Other Voltages Available
<b>FC8</b> Food Zone			6 .125 Clear Polycarbonate (No Pattern) †		<b>EM4</b> Bodine BDL900 WET/IOTA I-40-DL WET or similar	
<b>RC8</b> Marine Inside			7 .125 White Polycarbonate †		<b>EM8</b> Bodine BHD65U HAZ. LOC.	
<b>MC8</b> Inside Drip-proof			8 .156 Prismatic Polycarbonate (P12) †		<b>BALLASTS (SPECIFY VOLTAGE)</b>	
			9 Square Polycarbonate (White Standard. Clear & prismatic available.)		<b>D1</b> Lutron Dimming ECO-10	
			<b>LENSES AVAILABLE FOR FOOD ZONE</b>		<b>D2</b> Electronic Dimming	
			6 .125 Clear Polycarbonate (No Pattern) †		<b>D4</b> < 10% THD (Consult Factory)	
			7 .125 White Polycarbonate (base) †		<b>E0</b> Low-Temp Electronic (N/A T12 RS & VHO)	
			8 .156 Prismatic Polycarbonate (P12) †		<b>E2</b> 2 Electronic Ballasts	
			9 Square Polycarbonate (White Standard. Clear & prismatic available.)		<b>E4</b> 4 Electronic Ballasts	
			Colored acrylic lens available, consult agent.		<b>E9</b> Rapid Start Electronic Ballast	
			† Lengths Greater than 4 foot Require Two (2) Lenses with a Joiner Band		<b>FUSING</b>	
					<b>F1</b> GLR/HLR Fusing (Fast)	
					<b>F2</b> GMF/HLR Fusing (Slow)	
					<b>LENSING</b>	
					<b>C0</b> Colored Lens (Consult Agent)	
					<b>H1</b> Tandem Lens With Joiner Band	
					<b>H2</b> .150 Extra Heavy Clear Acrylic	
					<b>H3</b> .150 Extra Heavy White Acrylic	
					<b>J0</b> Lamp Sleeves (Specify Color)	
					<b>J8</b> Wire Guard	
					<b>MOUNTING</b>	
					<b>M1</b> Pendant Mount (Pendants by Others)	
					<b>M2</b> Mounting Bracket Kit (Surface / Chain)	
					<b>M3</b> In-Row (Row Information Required)	
					<b>M6</b> Angled Mounting Bracket (Consult Agent)	
					<b>M9</b> Wall Mounting	
					<b>MISC</b>	
					<b>P9</b> Special Paint Color (Provide Paint Code & Chip)	
					<b>R5</b> Specular Aluminum Reflector	
					<b>S1</b> Special Material (Consult Agent)	
					<b>T3</b> Tamper Resistant	
					<b>T6</b> Screw-on End Caps	
					<b>W4</b> Inboard Outboard Wiring (Dual Switching)	
					<b>W5</b> Rear Wire Entry (Consult Factory)	
					<b>Y6</b> Flex-Loc® Lamp Holder (Med Bi-Pin Only: T8, T12)	

**TANDEM LAMPS**  
Tandem lamps are tandem wired

40BX*	F40T5T (4FT)	0°
50BX	F50T5T (4FT)	0°
25*	F25T8 (6FT)	0°
28T5*	F28T5 (8FT)	0°
32*	F32T8 (8FT)	0°
48H*	F48T12/HO Mag. (8FT)	0°
48T8H	F48T8/HO (8FT)	0°
54T5H*	F54T5/HO (8FT)	0°

\* Lamp Type Available for Hazardous Location.

### INDIVIDUAL UNITS STANDARD.

Other Wattages and Lengths Available, Consult Factory.

### NSF Food Processing Note:

Food Zone (F prefix) luminaires come in DIRECT CONTACT with food.  
Splash Zone (S prefix) units may become soiled, but are outside the danger of recontamination.

Information subject to change without notice. Lamps supplied by others.

© 2010 Paramount Industries, Inc. P.O. Box 259 Crosswell, MI 48422

Paramount Industries, Inc. 800-521-5405 Fax 800-852-7154 [www.paramountlighting.com](http://www.paramountlighting.com)

REVISED 7/2010

### Project Information:

Add hyphens between options