



# C5 Series

FLUORESCENT | SURFACE **S**



### CRAFT LITE®

#### APPLICATIONS:

- UL/CUL Listed Wet Location
- UL/CUL Hazardous Location (Class I, Division 2; Groups A, B, C & D; Class II, Division 2; Groups F & G)
- NSF Certified Food Processing (Splash Zone, Food Zone)
- Industrial & Commercial
- UL Listed Marine (Inside, Inside Drip-Proof)
- Transit

#### BENEFITS:

- Luminaires adaptable to your specific needs

#### FEATURES:

- Available with **IP 54 rating**, add -IP54 suffix
- Square version available
- Available in Stainless Steel construction
- Premium electronic ballast standard
- Every luminaire tested with lamps to assure customer satisfaction
- 5 year limited warranty
- Proudly made in **USA**

## SPECIFICATIONS:

### HOUSING:

Constructed of 20GA (.036) zinc coated steel for unmatched corrosion protection. Featuring a double channel, one welded inside the other, with space between the channel sides to capture the diffuser. Threaded hubs are continuously welded into the channel ends providing a sealed wireway access. Removable plugs seal the hubs when not utilized.

**Food Zone:** All external metal components of stainless steel (S3 option std).

### OPTIONAL PREMIUM MATERIALS:

**S3** - External metal components of 304 stainless steel.

**S4** - All metal components of 304 stainless steel.

### REFLECTOR:

Fabricated of zinc coated steel, painted with a minimum reflectance of 88%.

### END CAPS:

Die formed of 18GA (.048) stainless steel. A threaded, knurled ring secures the end cap to the luminaire housing. End caps secure lens.

### GASKETING:

EPDM is used in the housing channels and end caps.

### FINISH:

Painted surfaces are two mil white polyester enamel, special colors available.

### LENS:

One piece nominal .125 white translucent cell cast virgin acrylic.

### ELECTRICAL:

All ballasts and lampholders are UL Listed.

**Marine:** Utilizes a three gang terminal block for electrical connections.

### MOUNTING:

Surface, chain, or pendant options available

#### for covered ceiling installations.

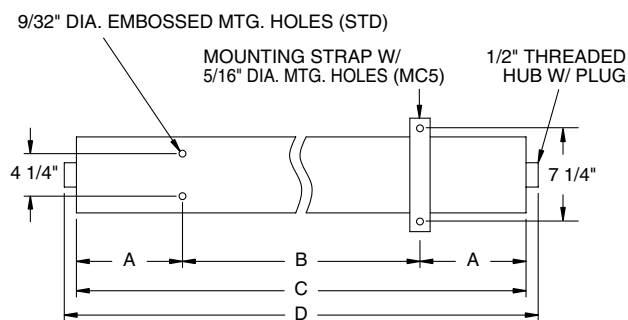
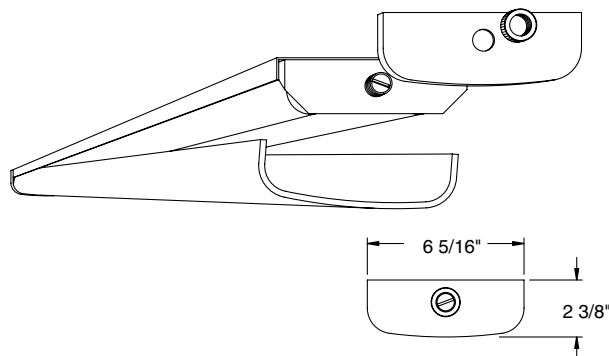
Continuous row luminaires manufactured with aligning pins and utilize joiner bands. For further information, contact Sales Representative.

**Splash and Food Zone:** Surface for covered ceiling installations only.

**Marine:** Surface for covered ceiling installations only.

### TEMPERATURE CODE:

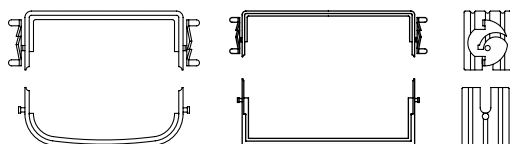
Class I, Div. 2= T4 (135°C); Class II, Div. 2= T3B (165°C)



1/2" THREADED FLANGE (OPTIONAL, WET LOC.)

LENGTH	DIMENSIONS IN INCHES			
	A	B	C	D
19"	4	10	18	19 1/8
2 FT T5	3 3/16	16	22 3/8	23 1/2
2 FT	4 1/16	16	24 1/8	25 1/4
3 FT T5	9 3/32	16	34 3/16	35 5/16
3 FT	10 1/16	16	36 1/8	37 1/4
4FT T5	7	32	46	47 1/8
4 FT	8 1/16	32	48 1/8	49 1/4

C5 JOINER BANDS



SQUARE POLYCARBONATE LENS AND END CAP





Hazardous Location:



Food Processing:



# C5 Series



**PHOTOMETRICS:** For additional photometry, go to [paramountlighting.com](http://paramountlighting.com)

Model C52323, 4FT, Specular Reflector and White Acrylic Lens, 2 32W T8 Fluorescent Lamps, Lamp Lumen Rating = 3050

### Coefficients of Utilization, Zonal Cavity Method

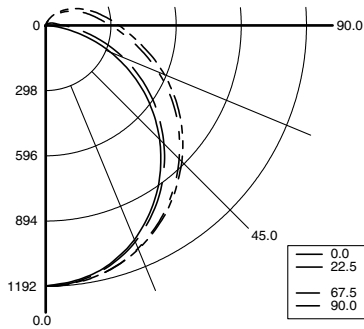
Floor Cavity Reflectance: 20%

RC	.8				.7				.5				.3				.1				0
RW	.7	.5	.3	.1	.7	.5	.3	.1	.5	.3	.1	.5	.3	.1	.5	.3	.1	.5	.3	.1	0
R 0	83	83	83	83	80	80	80	80	75	75	75	70	70	70	65	65	65	63			
C 1	74	70	67	63	71	68	65	62	63	61	58	59	57	55	55	53	52	50			
R 2	67	60	55	51	64	58	53	49	54	50	47	51	47	45	47	45	42	40			
3	61	53	46	41	58	51	45	40	48	43	39	44	40	37	42	38	35	33			
4	55	46	40	35	53	45	39	34	42	37	33	39	35	31	37	33	30	28			
5	51	41	35	30	49	40	34	29	37	32	28	35	30	27	33	29	26	24			
6	47	37	30	26	45	36	30	25	34	28	24	32	27	23	30	26	23	21			
7	43	33	27	22	42	32	26	22	31	25	21	29	24	21	27	23	20	18			
8	40	30	24	20	39	29	24	20	28	23	19	26	22	18	25	21	18	16			
9	37	28	22	18	36	27	21	17	26	20	17	24	20	16	23	19	16	14			
10	35	25	20	16	34	25	19	16	24	19	15	22	18	15	21	17	14	13			

### Zonal Lumen Summary

Zone	Lumens	% Lamp	% Luminaire
0-30	924	15.2	21.1
0-40	1518	24.9	34.7
0-60	2739	44.9	62.6
0-90	3868	63.4	88.4
90-120	394	6.5	9
90-130	453	7.4	10.3
90-150	502	8.2	11.5
90-180	508	8.3	11.6
0-180	4376	71.7	100

Total Luminaire Optical Efficiency = 71.7%  
Spacing Criterion: 0° = 1.20, 90° = 1.30



## CRAFT LITE® LUMINAIRE ORDERING INFORMATION:

SERIES	LAMP QTY	LAMP TYPE	LENS	OPT MATERIAL	OPTIONS	VOLTAGE
<b>C5</b> Wet Location <b>HC5*</b> Hazardous <b>SC5</b> Splash Zone <b>FC5</b> Food Zone <b>RC5</b> Marine Inside <b>MCS</b> Inside Drip-proof	<b>2</b>		<b>2</b> .125 Clear Acrylic (No Pattern) <b>3</b> .125 White Acrylic (base) <b>4</b> .125 Prismatic Acrylic (P4) <b>6</b> .125 Clear Polycarbonate (No Pattern) <b>7</b> .125 White Polycarbonate <b>8</b> .156 Prismatic Polycarbonate (P12) <b>9</b> Square Polycarbonate (White Standard. Clear & prismatic available.)	<b>2</b> .125 Clear Acrylic (No Pattern) <b>3</b> .125 White Polycarbonate (base) <b>7</b> .125 White Polycarbonate <b>8</b> .156 Prismatic Polycarbonate (P12) <b>9</b> Square Polycarbonate (White Standard. Clear & prismatic available.)	<b>EMERGENCY (SPECIFY VOLTAGE)</b> <b>EM2</b> Bodine BDL700 WET/IOTA I-48-DL WET or similar <b>EM3</b> Bodine BDL500 WET/IOTA I-320-DL WET or similar <b>EM4</b> Bodine BDL900 WET/IOTA I-40-DL WET or similar <b>BALLASTS (SPECIFY VOLTAGE)</b> <b>D4</b> < 10% THD (Consult Factory) <b>D8</b> Low-Temp Electronic (N/A 12 RS & VHO)* <b>E2</b> 2 Electronic Ballasts <b>E9</b> Rapid Start Electronic Ballast <b>FUSING</b> <b>F1</b> GLR/HLR Fusing (Fast) <b>F2</b> GMF/HLR Fusing (Slow) <b>LENSING</b> <b>H2</b> .150 Extra Heavy Clear Acrylic <b>H3</b> .150 Extra Heavy White Acrylic <b>J0</b> Lamp Sleeves (Specify Color) <b>J8</b> Wire Guard (N/A Splash/Food Zones) <b>MOUNTING</b> <b>M1</b> Pendant Mount (Pendants by Others) <b>M2</b> Mounting Bracket Kit (Surface / Chain) <b>M3</b> In-Row (Row Information Required) <b>M6</b> Angled Mounting Bracket (Consult Agent) <b>M9</b> Wall Mounting <b>MISC</b> <b>IP54</b> IP rated <b>P9</b> Special Paint Color (Provide Paint Code & Chip) <b>R5</b> Specular Aluminum Reflector <b>S1</b> Special Material (Consult Agent) <b>T3</b> Tamper Resistant <b>T6</b> Screw-on End Caps <b>W5</b> Rear Wire Entry (Consult Factory)	<b>120V-277V /60Hz STD</b> <b>347V/60Hz</b> <b>50Hz &amp; Other Voltages Available</b>
<b>39BX</b> F36-F39T5TT (19") <b>40BX</b> F40T5TT (2FT) <b>14T5*</b> F14T5 (2FT) <b>17*</b> F17T8 (2FT) <b>21T5*</b> F21T5 (3FT) <b>25*</b> F25T8 (3FT) <b>28T5*</b> F28T5 (4FT) <b>32*</b> F32T8 (4FT)		0°				0°

Colored acrylic lens available, consult agent.

\*S3 Stainless Steel Exterior  
\*S4 Stainless Steel Complete

\* Note:  
If Stainless Steel is ordered,  
304 SS Standard  
316 SS and other materials  
available, consult agent.

Available ONLY with standard painted reflector  
Add hyphens between options

\* Lamp Type Available for Hazardous Location.

INDIVIDUAL UNITS STANDARD.

Other Wattages and Lengths Available, Consult Factory.

NSF Food Processing Note:

Food Zone (F prefix) luminaires come in DIRECT CONTACT with food.  
Splash Zone (S prefix) units may become soiled, but are outside the danger of recontamination.

Information subject to change without notice. Lamps supplied by others.

© 2010 Paramount Industries, Inc. P.O. Box 259 Crosswell, MI 48422

Paramount Industries, Inc. 800-521-5405 Fax 800-852-7154 www.paramountlighting.com

REVISED 7/2010

**Project Information:**