



C4 Series

FLUORESCENT | SURFACE **S**



CRAFT LITE®

APPLICATIONS:

- UL/CUL Listed Wet Location
- UL/CUL Hazardous Location (Class I, Division 2; Groups A, B, C & D Class II, Division 2; Groups F & G)
- NSF Certified Food Processing (Splash Zone, Food Zone)
- Industrial & Commercial
- UL Listed Marine (Inside, Inside Drip-Proof)
- Transit

BENEFITS:

- Luminaires adaptable to your specific needs

FEATURES:

- Available with **IP 65 rating**, add -IP65 suffix
- Square version available
- Available in Stainless Steel construction
- Premium electronic ballast standard
- Every luminaire tested with lamps to assure customer satisfaction
- 5 year limited warranty
- Proudly made in **USA**

SPECIFICATIONS:

HOUSING:

Constructed of 20GA (.036) zinc coated steel for unmatched corrosion protection. Featuring a double channel, one welded inside the other, with space between the channel sides to capture the diffuser. Threaded hubs are continuously welded into the channel ends providing a sealed wireway access. Removable plugs seal the hubs when not utilized.

Food Zone: All external metal components of stainless steel (S3 option std).

OPTIONAL PREMIUM MATERIALS:

S3 - External metal components of 304 stainless steel.

S4 - All metal components of 304 stainless steel.

REFLECTOR:

Fabricated of zinc coated steel, painted with a minimum reflectance of 88%.

END CAPS:

Die formed of 18GA (.048) stainless steel. A threaded, knurled ring secures the end cap to the luminaire housing. End caps secure lens.

GASKETING:

EPDM is used in the housing channels and end caps.

FINISH:

Painted surfaces are two mil white polyester enamel, special colors available.

LENS:

One piece nominal .125 white translucent cell cast virgin acrylic. A two piece lens with center joiner band is optional.

ELECTRICAL:

All ballasts and lampholders are UL Listed.

Marine: Utilizes a three gang terminal block for electrical connections.

MOUNTING:

Surface, chain, or pendant options available

for covered ceiling installations.

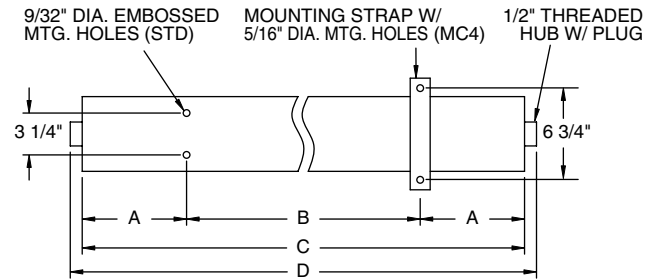
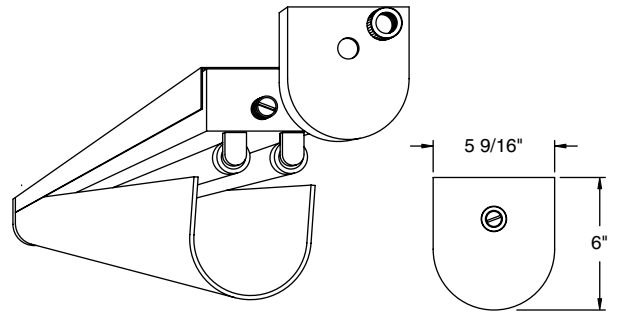
Continuous row luminaires manufactured with aligning pins and utilize joiner bands. Surface mounted HO luminaires require a minimum 1 1/2" clearance (*Bracket kit supplied*). For further information, contact Sales Representative.

Splash and Food Zone: Surface for covered ceiling installations only.

Marine: Surface for covered ceiling installations only.

TEMPERATURE CODE:

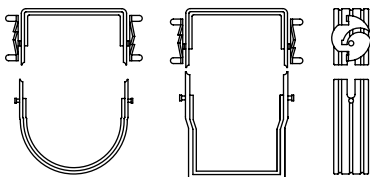
Class I, Div. 2= T4 (135°C); Class II, Div. 2= T3B (165°C)



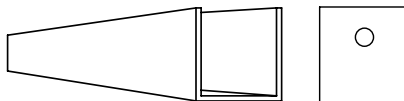
1/2" THREADED FLANGE (OPTIONAL, WET LOC.)

LENGTH	DIMENSIONS IN INCHES			
	A	B	C	D
10 1/2"	1 3/4	6	9 1/2	10 5/8
13"	3	6	12	13 1/8
16"	3	9	15	16 1/8
19"	4	10	18	19 1/8
2 FT	4 3/32	16	24 3/16	25 5/16
2 FT T5	3 3/8	16	22 3/4	23 7/8
3 FT T5	9 5/16	16	34 5/8	35 3/4
3 FT	10 3/32	16	36 3/16	37 5/16
4 FT	8 3/32	32	48 3/16	49 5/16
4 FT T5	7 3/16	32	46 3/8	47 1/2
6 FT	12 3/32	48	72 3/16	73 5/16
6 FT T5 TDM	10 17/32	48	69 1/16	70 3/16
6 FT TDM	12 3/16	48	72 3/8	73 1/2
8 FT	16 3/32	64	96 3/16	97 5/16
8 FT T5 TDM	14 9/32	64	92 9/16	93 11/16
8 FT TDM	16 3/16	64	96 3/8	97 1/2

C4 JOINER BANDS

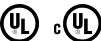


SQUARE POLYCARBONATE LENS AND END CAP





Hazardous Location:



Food Processing:

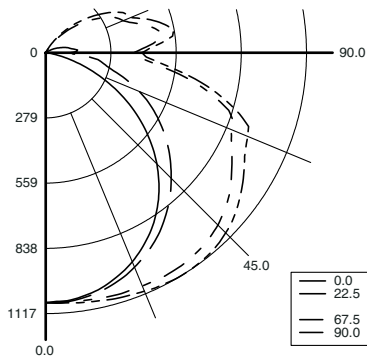


C4 Series



PHOTOMETRICS: For additional photometry, go to paramountlighting.com

Model C42322, 4FT, White Painted Interior and Clear Acrylic Lens, 2 32W T8 Fluorescent Lamps, Lamp Lumen Rating = 3050



Coefficients of Utilization, Zonal Cavity Method

Floor Cavity Reflectance: 20%

RC	.8				.7				.5				.3				.1				0
RW	.7	.5	.3	.1	.7	.5	.3	.1	.5	.3	.1	.5	.3	.1	.5	.3	.1	.5	.3	.1	0
R 0	102	102	102	98	98	98	98	90	90	90	82	82	82	76	76	76	73				
C 1	91	85	81	76	86	82	77	74	75	71	68	68	66	63	63	61	59	55			
R 2	81	73	66	60	77	70	63	58	64	58	54	58	54	50	53	50	47	44			
3	73	63	55	48	69	60	53	47	55	49	44	50	45	41	46	42	38	35			
4	67	55	46	40	63	53	45	39	48	42	36	44	39	34	40	36	32	29			
5	61	49	40	34	58	47	39	33	43	36	31	39	33	29	36	31	27	25			
6	56	43	35	29	53	42	34	28	38	32	26	35	29	25	32	27	23	21			
7	52	39	31	25	49	37	30	24	35	28	23	32	26	22	29	24	21	18			
8	48	35	27	22	45	34	27	21	31	25	20	29	23	19	27	22	18	16			
9	44	32	25	19	42	31	24	19	29	22	18	27	21	17	25	20	16	14			
10	42	29	22	17	40	28	22	17	26	20	16	24	19	15	23	18	15	13			

Zonal Lumen Summary

Zone	Lumens	% Lamp	% Luminaire
0-30	877	14.4	16.1
0-40	1491	24.4	27.4
0-60	2900	47.5	53.2
0-90	4458	73.1	81.8
90-120	799	13.1	14.7
90-130	920	15.1	16.9
90-150	990	16.2	18.2
90-180	991	16.2	18.2
0-180	5448	89.3	100

Total Luminaire Optical Efficiency = 89.3%
Spacing Criterion: 0° = 1.23, 90° = 1.59

CRAFT LITE® LUMINAIRE ORDERING INFORMATION:

SERIES	LAMP QTY	LAMP TYPE	LENS	OPT MATERIAL	OPTIONS	VOLTAGE
C4 Wet Location	1		2 .125 Clear Acrylic (No Pattern)		EM2 Bodine BDL700 WET/IOTA I-48-DL WET or similar	120V-277V/60Hz STD
HC4* Hazardous	2 Standard		3 .125 White Acrylic (base)		EM3 Bodine BDL500 WET/IOTA I-320-DL WET or similar	347V/60Hz
SC4 Splash Zone	T2 Tandem		4 .125 Prismatic Acrylic (P4)		EM6 Bodine BDL900 WET/IOTA I-40-DL WET or similar	50Hz & Other Voltages Available
FC4 Food Zone	T4 2 Tandem		6 .125 Clear Polycarbonate (No Pattern) †		EM8 Bodine BHD65U HAZ. LOC.	
RC4 Marine Inside			7 .125 White Polycarbonate †		BALLASTS (SPECIFY VOLTAGE)	
MC4 Inside Drip-proof			8 .156 Prismatic Polycarbonate (P12) †		D1 Lutron Dimming ECO-10	
			9 Square Polycarbonate (White Standard. Clear & prismatic available.)		D2 Electronic Dimming	
			LENSES AVAILABLE FOR FOOD ZONE		D4 < 10% THD (Consult Factory)	
			6 .125 Clear Polycarbonate (No Pattern) †		E0 Low-Temp Electronic (N/A T12 RS & VHO)	
			7 .125 White Polycarbonate (base) †		E2 2 Electronic Ballasts	
			8 .156 Prismatic Polycarbonate (P12) †		E9 Rapid Start Electronic Ballast	
			9 Square Polycarbonate (White Standard. Clear & prismatic available.)		FUSING	
			Colored acrylic lens available, consult agent.		F1 GLR/HLR Fusing (Fast)	
			† Lengths Greater than 4 foot Require Two (2) Lenses with a Joiner Band		F2 GMF/HLR Fusing (Slow)	
			*S3 Stainless Steel Exterior		LENSING	
			*S4 Stainless Steel Complete		H1 Tandem Lens With Joiner Band	
					H2 .150 Extra Heavy Clear Acrylic	
					H3 .150 Extra Heavy White Acrylic	
					JO Lamp Sleeves (Specify Color)	
					J8 Wire Guard (N/A Splash/Food Zones)	
					K8 Reflector Tape (Specify Location, Consult Factory)	
					MOUNTING	
					M1 Pendant Mount (Pendants by Others)	
					M2 Mounting Bracket Kit (Surface / Chain)	
					M3 In-Row (Row Information Required)	
					M6 Angled Mounting Bracket (Consult Agent)	
					M9 Wall Mounting	
					MISC	
					IP65 IP rated	
					P9 Special Paint Color (Provide Paint Code & Chip)	
					R5 Specular Aluminum Reflector	
					S1 Special Material (Consult Agent)	
					T3 Tamper Resistant	
					T6 Screw-on End Caps	
					W5 Rear Wire Entry (Consult Factory)	
					Y6 Flex-Loc® Lamp Holder (Med Bi-Pin Only: T8, T12)	

Add hyphens between options

* Lamp Type Available for Hazardous Location.

INDIVIDUAL UNITS STANDARD.

Other Wattages and Lengths Available, Consult Factory.

NSF Food Processing Note:

Food Zone (F prefix) luminaires come in DIRECT CONTACT with food. Splash Zone (S prefix) units may become soiled, but are outside the danger of recontamination.

Information subject to change without notice. Lamps supplied by others.

© 2010 Paramount Industries, Inc. P.O. Box 259 Crosswell, MI 48422

Paramount Industries, Inc. 800-521-5405 Fax 800-852-7154 www.paramountlighting.com

REVISED 7/2010

Project Information: