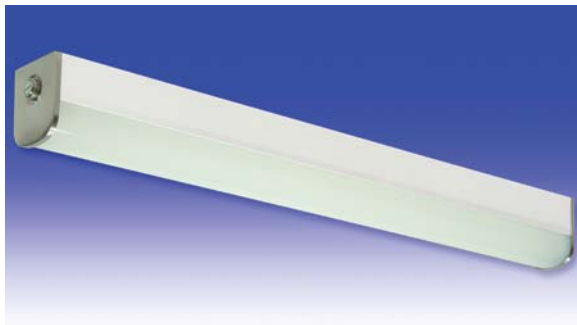


# C3 Series

**FLUORESCENT | SURFACE S**



**CRAFT LITE®  
APPLICATIONS:**

- UL/CUL Listed Wet Location
- UL/CUL Hazardous Location (Class I, Division 2; Groups A, B, C & D Class II, Division 2; Groups F & G)
- NSF Certified Food Processing (Splash Zone, Food Zone)
- Industrial & Commercial
- UL Listed Marine (Inside, Inside Drip-Proof)
- Transit

**BENEFITS:**

- Luminaires adaptable to your specific needs

**FEATURES:**

- Square version available
- Available in Stainless Steel construction
- Premium electronic ballast standard
- Every luminaire tested with lamps to assure customer satisfaction
- 5 year limited warranty
- Proudly made in **USA**

**SPECIFICATIONS:**

**HOUSING:**

Constructed of 20GA (.036) zinc coated steel for unmatched corrosion protection. Featuring a double channel, one welded inside the other, with space between the channel sides to capture the diffuser. Threaded hubs are continuously welded into the channel ends providing a sealed wireway access. Removable plugs seal the hubs when not utilized.

**Food Zone:** All external metal components of stainless steel (S3 option std).

**OPTIONAL PREMIUM MATERIALS:**

- S3** - External metal components of 304 stainless steel.
- S4** - All metal components of 304 stainless steel.

**REFLECTOR:**

Fabricated of zinc coated steel, painted with a minimum reflectance of 88%.

**END CAPS:**

Die formed of 18GA (.048) stainless steel. A threaded, knurled ring secures the end cap to the luminaire housing. End caps secure lens.

**GASKETING:**

EPDM is used in the housing channels and end caps.

**FINISH:**

Painted surfaces are two mil white polyester enamel, special colors available.

**LENS:**

One piece nominal .125 white translucent cell cast virgin acrylic. A two piece lens with center joiner band is available (H1 option).

**ELECTRICAL:**

All ballasts and lampholders are UL Listed.

**Marine:** Utilizes a three gang terminal block for electrical connections.

**MOUNTING:**

Surface, chain, or pendant options available  
**for covered ceiling installations.**

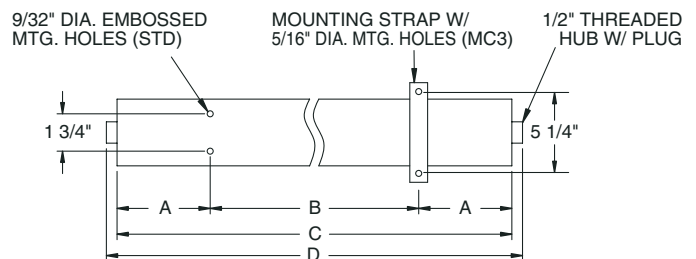
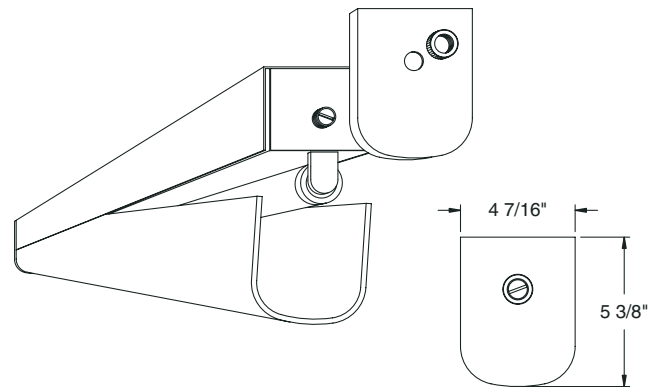
Continuous row luminaires manufactured with aligning pins and utilize joiner bands. Surface mounted HO luminaires require a minimum 1 1/2" clearance (*Bracket kit supplied*). For further information, contact Sales Representative.

**Splash and Food Zone:** Surface for covered ceiling installations only.

**Marine:** Surface for covered ceiling installations only.

**TEMPERATURE CODE:**

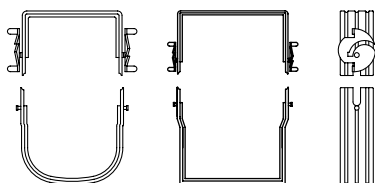
Class I, Div. 2= T4 (135°C); Class II, Div. 2= T3B (165°C)



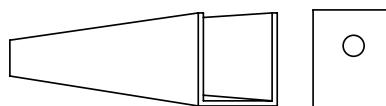
1/2" THREADED FLANGE (OPTIONAL, WET LOC.)

LENGTH	DIMENSIONS IN INCHES			
	A	B	C	D
<b>2 FT T5</b>	3 11/16	16	23 3/8	24 1/2
<b>2 FT</b>	4 3/32	16	24 3/16	25 5/16
<b>3 FT</b>	10 3/32	16	36 3/16	37 5/16
<b>3 FT T5</b>	9 5/8	16	35 1/4	36 3/8
<b>4 FT T5</b>	7 1/2	32	47	48 1/8
<b>4 FT</b>	8 3/32	32	48 3/16	49 5/16
<b>6 FT</b>	12 3/32	48	72 3/16	73 5/16
<b>6 FT TDM</b>	12 3/16	48	72 3/8	73 1/2
<b>8 FT</b>	16 3/32	64	96 3/16	97 5/16
<b>8 FT TDM</b>	16 3/16	64	96 3/8	97 1/2

C3 JOINER BANDS



SQUARE POLYCARBONATE LENS AND END CAP





Hazardous Location:



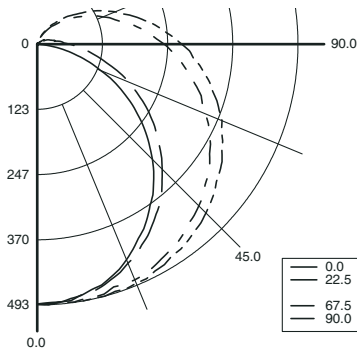
Food Processing:



# C3 Series

**PHOTOMETRICS:** For additional photometry, go to [paramountlighting.com](http://paramountlighting.com)

Model C31323, 4FT, White Painted Interior and White Acrylic Lens, 1 32W T8 Fluorescent Lamp, Lamp Lumen Rating = 3050

**Coefficients of Utilization, Zonal Cavity Method**

Floor Cavity Reflectance: 20%

RC	.8				.7				.5				.3				.1				0
RW	.7	.5	.3	.1	.7	.5	.3	.1	.5	.3	.1	.5	.3	.1	.5	.3	.1	.5	.3	.1	0
R 0	79	79	79	79	76	76	76	76	70	70	70	65	65	65	60	60	60	58			
C 1	70	66	63	59	67	64	60	57	59	56	53	54	52	50	50	48	46	44			
R 2	63	57	51	47	60	54	50	45	50	46	43	46	43	40	42	40	37	35			
3	57	49	43	38	54	47	42	37	43	39	35	40	36	33	37	34	31	29			
4	52	43	37	32	50	41	35	31	38	33	29	35	31	28	33	29	26	24			
5	48	38	32	27	45	37	31	26	34	29	25	31	27	24	29	25	22	20			
6	44	34	28	23	42	33	27	23	31	25	21	28	24	20	26	22	19	18			
7	40	31	25	20	39	30	24	20	28	22	19	26	21	18	24	20	17	15			
8	38	28	22	18	36	27	21	17	25	20	17	23	19	16	22	18	15	14			
9	35	26	20	16	33	25	19	15	23	18	15	22	17	14	20	16	13	12			
10	33	23	18	14	31	23	17	14	21	17	13	20	16	13	19	15	12	11			

**Zonal Lumen Summary**

Zone	Lumens	% Lamp	% Luminaire
0-30	394	12.9	16.7
0-40	661	21.7	28.0
0-60	1256	41.2	53.2
0-90	1953	64	82.7
90-120	321	10.5	13.6
90-130	368	12.1	15.6
90-150	405	13.3	17.1
90-180	408	13.4	17.3
0-180	2362	77.4	100

Total Luminaire Optical Efficiency = 77.4%  
Spacing Criterion: 0° = 1.21, 90° = 1.46

**CRAFT LITE® LUMINAIRE ORDERING INFORMATION:**

SERIES	LAMP QTY	LAMP TYPE	LENS	OPT MATERIAL	OPTIONS	VOLTAGE
<b>C3</b> Wet Location	<b>1</b> Standard		<b>2</b> .125 Clear Acrylic (No Pattern)		<b>EMERGENCY (SPECIFY VOLTAGE)</b>	<b>120V-277V/60Hz STD</b>
<b>HC3*</b> Hazardous	<b>2</b> T5 Only		<b>3</b> .125 White Acrylic (base)		<b>EM2</b> Bodine BDL700 WET/IOTA I-48-DL WET or similar	347V/60Hz
<b>SC3</b> Splash Zone	<b>T2</b> Tandem		<b>4</b> .125 Prismatic Acrylic (P4)		<b>EM3</b> Bodine BDL500 WET/IOTA I-320-DL WET or similar	50Hz &
<b>FC3</b> Food Zone			<b>6</b> .125 Clear Polycarbonate (No Pattern) †		<b>EM4</b> Bodine BDL900 WET/IOTA I-40-DL WET or similar	Other Voltages Available
<b>RC3</b> Marine Inside			<b>7</b> .125 White Polycarbonate †		<b>EM8</b> Bodine BHD65U HAZ. LOC.	
<b>MC3</b> Inside Drip-proof			<b>8</b> .156 Prismatic Polycarbonate (P12) †		<b>BALLASTS (SPECIFY VOLTAGE)</b>	
			<b>9</b> Square Polycarbonate (White Standard. Clear & prismatic available.)		<b>D1</b> Lutron Dimming ECO-10	
			<b>LENSES AVAILABLE FOR FOOD ZONE</b>		<b>D2</b> Electronic Dimming	
<b>40BX*</b> F40T5TT (2FT)	0°		<b>6</b> .125 Clear Polycarbonate (No Pattern) †		<b>D4</b> < 10% THD (Consult Factory)	
<b>50BX</b> F50T5TT (2FT)	0°		<b>7</b> .125 White Polycarbonate (base) †		<b>E0</b> Low-Temp Electronic (N/A T12 RS & VHO)	
<b>14T5*</b> F14T5 (2FT)	0°		<b>8</b> .156 Prismatic Polycarbonate (P12) †		<b>E9</b> Rapid Start Electronic Ballast	
<b>17*</b> F17T8 (2FT)	0°		<b>9</b> Square Polycarbonate (White Standard. Clear & prismatic available.)		<b>FUSING</b>	
<b>24T5H*</b> F24T5/HO (2FT)	0°				<b>F1</b> GLR/HLR Fusing (Fast)	
<b>25*</b> F25T8 (3FT)	0°				<b>F2</b> GMF/HLR Fusing (Slow)	
<b>28T5*</b> F28T5 (4FT)	0°				<b>F3</b> HPS/FEE Fusing (External, N/A Haz. Loc.)	
<b>32*</b> F32T8 (4FT)	0°				<b>LENSING</b>	
<b>48H*</b> F48T12/HO (4FT)	-20°				<b>H1</b> Tandem Lens With Joiner Band	
<b>48T8H</b> F48T8/HO A(4FT)	-20°				<b>H2</b> .150 Extra Heavy Clear Acrylic	
<b>54T5H*</b> F54T5/HO (4FT)	0°				<b>H3</b> .150 Extra Heavy White Acrylic	
<b>72H*</b> F72T12/HO (6FT)	-20°				<b>JO</b> Lamp Sleeves (Specify Color)	
<b>72T8H</b> F72T8/HO (6FT)	-20°				<b>J8</b> Wire Guard (N/A Splash/Food Zones)	
<b>96H*</b> F96T12/HO (8FT)	-20°				<b>K8</b> Reflector Tape (Specify Location, Consult Factory)	
<b>96T8*</b> F96T8 (8FT) (59W)	50°				<b>MOUNTING</b>	
<b>96T8H*</b> F96T8/HO (8FT)	-20°				<b>M1</b> Pendant Mount (Pendants by Others) N/A Food Zone	
					<b>M2</b> Mounting Bracket Kit (Surface / Chain)	
					<b>M3</b> In-Row (Row Information Required)	
					<b>M6</b> Angled Mounting Bracket (Consult Agent)	
					<b>M9</b> Wall Mounting	
					<b>MISC</b>	
					<b>P9</b> Special Paint Color (Provide Paint Code & Chip)	
					<b>R5</b> Specular Aluminum Reflector	
					<b>S1</b> Special Material (Consult Agent)	
					<b>T3</b> Tamper Resistant	
					<b>T6</b> Screw-on End Caps	
					<b>W3</b> Remote Ballast Box	
					<b>W5</b> Rear Wire Entry (Consult Factory)	
					<b>Y6</b> Flex-Loc® Lamp Holder (Med Bi-Pin Only: T8, T12)	

Colored acrylic lens available, consult agent.

† Lengths Greater than 4 foot Require Two (2) Lenses with a Joiner Band

\*S3 Stainless Steel Exterior  
\*S4 Stainless Steel Complete\* Note:  
If Stainless Steel is ordered, 304 SS Standard  
316 SS and other materials available, consult agent.

\* Lamp Type Available for Hazardous Location.

INDIVIDUAL UNITS STANDARD.

Other Wattages and Lengths Available, Consult Factory.

NSF Food Processing Note:

Food Zone (F prefix) luminaires come in DIRECT CONTACT with food. Splash Zone (S prefix) units may become soiled, but are outside the danger of recontamination.

Information subject to change without notice. Lamps supplied by others.

© 2010 Paramount Industries, Inc. P.O. Box 259 Croswell, MI 48422

Paramount Industries, Inc. 800-521-5405 Fax 800-852-7154 www.paramountlighting.com

REVISED 7/2010

**Project Information:**

Add hyphens between options