

C2 Series

FLUORESCENT | SURFACE **S**



CRAFT LITE®

APPLICATIONS:

- UL/CUL Listed Wet Location
- UL/CUL Hazardous Location (Class I, Division 2; Groups A, B, C & D; Class II, Division 2; Groups F & G)
- NSF Certified Food Processing (Splash Zone, Food Zone)
- Industrial & Commercial
- UL Listed Marine (Inside, Inside Drip-Proof)
- Transit

BENEFITS:

- Luminaires adaptable to your specific needs

FEATURES:

- Square version available
- Available in Stainless Steel construction
- Premium electronic ballast standard
- Every luminaire tested with lamps to assure customer satisfaction
- 5 year limited warranty
- Proudly made in **USA**

SPECIFICATIONS:

HOUSING:

Constructed of 20GA (.036) zinc coated steel for unmatched corrosion protection. Featuring a double channel, one welded inside the other, with space between the channel sides to capture the diffuser. Threaded hubs are continuously welded into the channel ends providing a sealed wireway access. Removable plugs seal the hubs when not utilized.

Food Zone: All external metal components of stainless steel (S3 option std).

OPTIONAL PREMIUM MATERIALS:

- S3** - External metal components of 304 stainless steel.
- S4** - All metal components of 304 stainless steel.

REFLECTOR:

Fabricated of zinc coated steel, painted with a minimum reflectance of 88%.

END CAPS:

Die formed of 18GA (.048) stainless steel. A threaded, knurled ring secures the end cap to the luminaire housing. End caps secure lens.

GASKETING:

EPDM is used in the housing channels and end caps.

FINISH:

Painted surfaces are two mil of white polyester enamel, special colors available.

LENS:

One piece nominal .125 white translucent cell cast virgin acrylic. A two piece lens with center joiner band is available (H1 option).

ELECTRICAL:

All ballasts and lampholders are UL Listed.

Marine: Utilizes a three gang terminal block for electrical connections.

MOUNTING:

Surface, chain, or pendant options available
for covered ceiling installations.

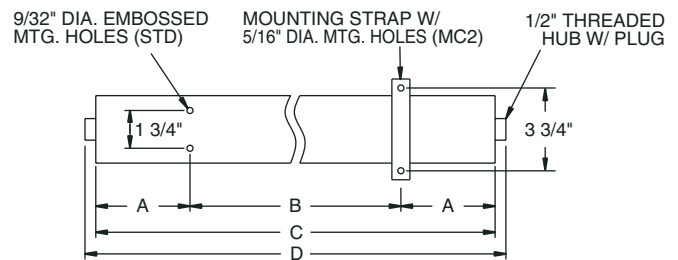
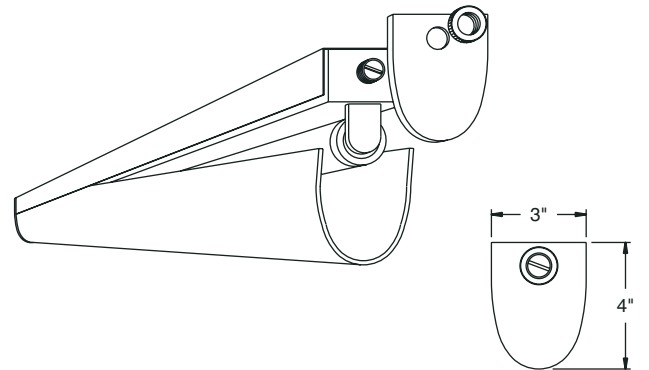
Continuous row luminaires manufactured with aligning pins and utilize joiner bands. Surface mounted HO luminaires require a minimum 1 1/2" clearance (Bracket kit supplied). For further information, contact Sales Representative.

Splash and Food Zone: Surface for covered ceiling installations only.

Marine: Surface for covered ceiling installations only.

TEMPERATURE CODE:

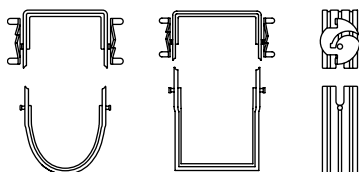
Class I, Div. 2= T4 (135°C); Class II, Div. 2= T3B (165°C)



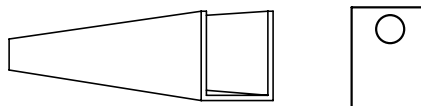
1/2" THREADED FLANGE (OPTIONAL, WET LOC.)

LENGTH	DIMENSIONS IN INCHES			
	A	B	C	D
10 1/2"	1 3/4	6	9 1/2	10 5/8
13"	3	6	12	13 1/8
16"	2 1/2	10	15	16 1/8
19"	4	10	18	19 1/8
2 FT	4 1/2	16	25	26 1/8
2 FT T5	3 11/16	16	23 3/8	24 1/2
3 FT	10 1/2	16	37	38 1/8
3 FT T5	9 5/8	16	35 1/4	36 3/8
4 FT	8 1/2	32	49	50 1/8
4 FT T5	7 1/2	32	47	48 1/8
6 FT TDM	13	48	74	75 1/8
6 FT T5 TDM	10 25/32	48	69 9/16	70 11/16
8 FT TDM	17	64	98	99 1/8
8 FT T5 TDM	14 17/32	64	93 1/16	94 3/16

C2 JOINER BANDS



SQUARE POLYCARBONATE LENS AND END CAP





Hazardous Location:



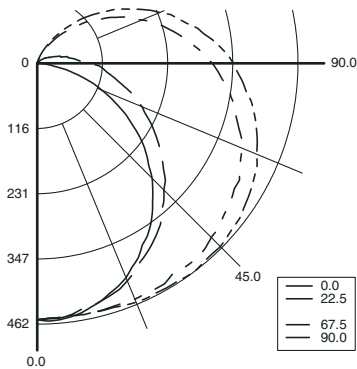
Food Processing:



C2 Series

PHOTOMETRICS: For additional photometry, go to paramountlighting.com

Model C21323, 4FT, White Painted Interior and White Acrylic Lens, 1 32W T8 Fluorescent Lamp, Lamp Lumen Rating = 3050



Coefficients of Utilization, Zonal Cavity Method

Floor Cavity Reflectance: 20%

RC	.8				.7				.5				.3				.1				0
RW	.7	.5	.3	.1	.7	.5	.3	.1	.5	.3	.1	.5	.3	.1	.5	.3	.1	.5	.3	.1	0
R 0	97	97	97	97	93	93	93	93	84	84	84	77	77	77	70	70	70	66			
C 1	85	80	75	70	81	76	71	67	69	65	62	62	59	56	56	53	51	48			
R 2	76	68	61	55	72	64	58	52	58	53	48	52	48	44	47	44	41	37			
3	69	58	50	44	65	55	48	42	50	44	39	45	40	36	40	36	33	30			
4	62	51	43	36	59	48	41	35	44	37	32	39	34	30	35	31	27	25			
5	57	45	37	30	54	43	35	29	39	32	27	35	30	25	31	27	23	21			
6	52	40	32	26	49	38	31	25	35	28	23	31	26	22	28	24	20	18			
7	48	36	28	23	45	34	27	22	31	25	20	28	23	19	26	21	17	15			
8	45	33	25	20	42	31	24	19	28	22	18	26	21	17	23	19	15	13			
9	42	30	22	18	39	28	22	17	26	20	16	24	19	15	22	17	14	12			
10	39	27	20	16	37	26	20	15	24	18	14	22	17	13	20	16	12	11			

Zonal Lumen Summary

Zone	Lumens	% Lamp	% Luminaire
0-30	367	12.0	14.0
0-40	623	20.4	23.7
0-60	1221	40.0	46.6
0-90	2034	66.7	77.5
90-120	457	15.0	17.4
90-130	528	17.3	20.1
90-150	585	19.2	22.3
90-180	589	19.3	22.5
0-180	2624	86	100

Total Luminaire Optical Efficiency = 86.0%

Spacing Criterion: 0° = 1.22, 90° = 1.55

CRAFT LITE® LUMINAIRE ORDERING INFORMATION:

SERIES	LAMP QTY	LAMP TYPE	LENS	OPT MATERIAL	OPTIONS	VOLTAGE
C2 Wet Location	1 Standard		2 .125 Clear Acrylic (No Pattern)		EMERGENCY (SPECIFY VOLTAGE)	120V-277V/60Hz STD
HC2* Hazardous	T2 Tandem		3 .125 White Acrylic (base)		EM2 Bodine BDL700 WET/IOTA I-48-DL WET or similar	347V/60Hz
SC2 Splash Zone			4 .125 Prismatic Acrylic (P4)		EM3 Bodine BDL500 WET/IOTA I-320-DL WET or similar	50Hz & Other Voltages Available
FC2 Food Zone			6 .125 Clear Polycarbonate (No Pattern) †		EM4 Bodine BDL900 WET/IOTA I-40-DL WET or similar	
RC2 Marine Inside			7 .125 White Polycarbonate †		BALLASTS (SPECIFY VOLTAGE)	
MC2 Inside Drip-proof			8 .156 Prismatic Polycarbonate (P12) †		D1 Lutron Dimming ECO-10	
			9 Square Polycarbonate (White Standard. Clear & prismatic available.)		D2 Electronic Dimming	
			LENSES AVAILABLE FOR FOOD ZONE		D4 < 10% THD (Consult Factory)	
			6 .125 Clear Polycarbonate (No Pattern) †		E0 Low-Temp Electronic (N/A T12 RS & VHO)	
			7 .125 White Polycarbonate (base) †		E9 Rapid Start Electronic Ballast	
			8 .156 Prismatic Polycarbonate (P12) †		FUSING	
			9 Square Polycarbonate (White Standard. Clear & prismatic available.)		F1 GLR/HLR Fusing (Fast)	
			Colored acrylic lens available, consult agent.		F2 GMF/HLR Fusing (Slow)	
			† Lengths Greater than 4 foot Require Two (2) Lenses with a Joiner Band		LENSING	
					H1 Tandem Lens With Joiner Band	
					H2 .150 Extra Heavy Clear Acrylic	
					H3 .150 Extra Heavy White Acrylic	
					J0 Lamp Sleeves (Specify Color)	
					J8 Wire Guard (N/A Splash/Food Zones)	
					K8 Reflector Tape (Specify Location, Consult Factory)	
					MOUNTING	
					M1 Pendant Mount (Pendants by Others)	
					M2 Mounting Bracket Kit (Surface / Chain)	
					M3 In-Row (Row Information Required)	
					M6 Angled Mounting Bracket (Consult Agent)	
					M9 Wall Mounting	
					MISC	
					P9 Special Paint Color (Provide Paint Code & Chip)	
					R5 Specular Aluminum Reflector	
					S1 Special Material (Consult Agent)	
					T3 Tamper Resistant	
					T6 Screw-on End Caps	
					W5 Rear Wire Entry (Consult Factory)	
					Y6 Flex-Loc® Lamp Holder (Med Bi-Pin Only: T8, T12)	
					Add hyphens between options	

* Lamp Type Available for Hazardous Location.

INDIVIDUAL UNITS STANDARD.

Other Wattages and Lengths Available, Consult Factory.

NSF Food Processing Note:

Food Zone (F prefix) luminaires come in DIRECT CONTACT with food.

Splash Zone (S prefix) units may become soiled, but are outside the danger of recontamination.

Information subject to change without notice. Lamps supplied by others.

© 2010 Paramount Industries, Inc. P.O. Box 259 Croswell, MI 48422

Paramount Industries, Inc. 800-521-5405 Fax 800-852-7154 www.paramountlighting.com

REVISED 7/2010

Project Information: