

**TECHNISEAL® APPLICATIONS:**

- UL/CUL Listed Damp Location
- Cleanroom (Classes 100-100,000; ISO Classes 5-9)
- NSF Certified Food Processing (Splash Zone, Food Zone)
- Industrial & Commercial
- Transit

**BENEFITS:**

- Unique low profile design
- Linear T5 lamp technology
- Luminaires adaptable to your specific needs

**FEATURES:**

- Premium electronic ballast standard
- Available in stainless steel construction
- Every luminaire tested with lamps to assure customer satisfaction
- 5 year limited warranty
- Proudly made in **USA**

**SPECIFICATIONS:**

**HOUSING:**

Constructed of nominal 20GA (.036) zinc coated steel for unmatched corrosion protection. Knockouts on the back of the luminaire provide wireway access. All seams are sealed with a long life acrylic sealant.

**Splash and Food Zone:** Welded, tapered, threaded flanges on the back provide a sealed wireway.

**Food Zone:** All external metal components of stainless steel (S3 option std).

**LENS FRAME:**

Exclusively designed, heavy duty, extruded, anodized aluminum with stainless steel captive screws used to hold the lens frame tight to the housing. The frame is supported by two cables while servicing.

**Food Zone:** All external metal components of stainless steel (S3 option std).

**GASKETING:**

An extruded, ribbed vinyl gasket seals the lens into the frame, with our exclusive mechanically held, extruded, silicone gasket used to seal the frame to the housing.

**Food Zone:** Silicone sealant is used to seal the lens into the frame, with EPDM sealing the frame to the housing.

**FINISH:**

Painted surfaces are two mil of white polyester enamel, special colors available.

**LENS:**

.140 extruded prismatic acrylic with 50% DR content for durability, smooth side out.

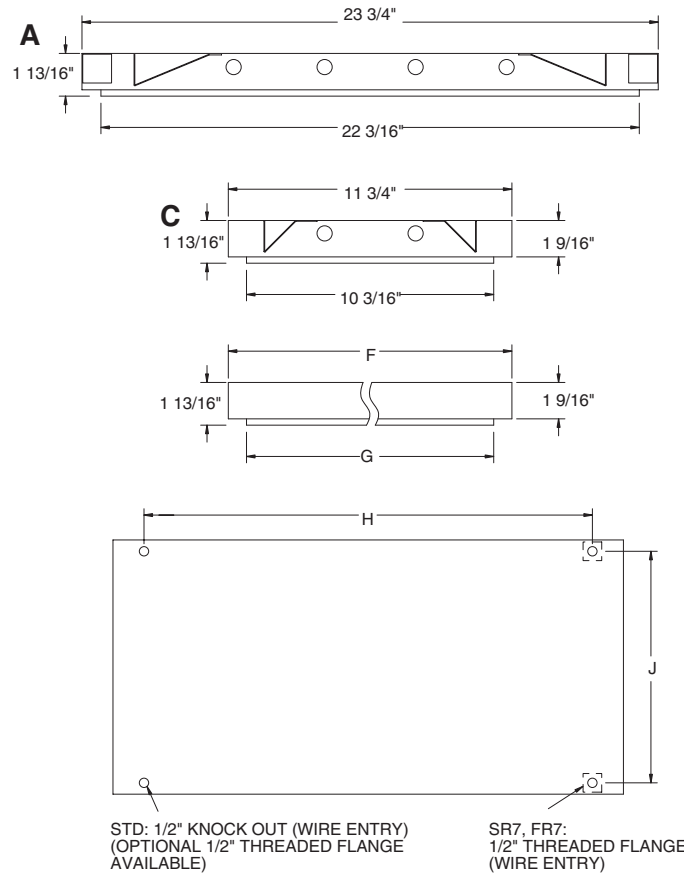
**Food Zone:** .156 extruded prismatic polycarbonate, smooth side out.

**ELECTRICAL:**

All ballasts and lampholders are UL Listed.

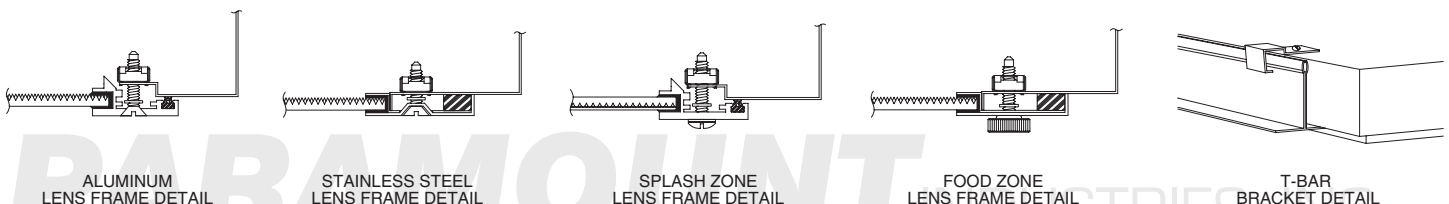
**MOUNTING:**

Grid or custom detail available for covered ceiling installations.



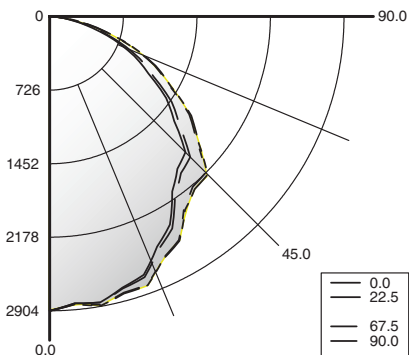
CROSS-SECTION (WIDTH)	DIMENSIONS IN INCHES			
	F	G	H	J
A 23 3/4"	23 3/4	22 3/16	18	20 7/16
	47 3/4	46 3/16	42	20 7/16
C 11 3/4"	23 3/4	22 3/16	18	8 7/16
	47 3/4	46 3/16	42	8 7/16

**LENS FRAME DETAILS:**



**PHOTOMETRICS:** For additional photometry, go to [paramountlighting.com](http://paramountlighting.com)

Model R7A428T54, 4FT, White Painted Interior and Prismatic Acrylic Lens, 4 28W T5 Lamps, Lamp Lumen Rating = 2900



**Coefficients of Utilization, Zonal Cavity Method**

Floor Cavity Reflectance: 20%

RC	.8			.7			.5			.3			.1			0
RW	.7	.5	.3	.7	.5	.3	.7	.5	.3	.7	.5	.3	.7	.5	.3	.1
R 0	86	86	86	84	84	84	80	80	80	77	77	77	74	74	74	72
C 1	79	75	72	77	74	71	68	68	66	68	66	64	65	64	62	61
R 2	72	66	61	57	70	64	60	56	55	59	56	53	57	55	52	51
3	65	58	52	47	63	56	51	47	46	54	50	46	52	48	44	43
4	60	51	45	40	58	50	44	39	48	43	39	46	42	38	45	41
5	55	45	39	34	53	45	38	34	43	38	33	42	37	33	40	36
6	51	41	34	30	49	40	34	30	39	33	29	38	33	29	36	32
7	47	37	31	26	46	36	30	26	35	30	26	34	29	26	33	29
8	44	34	27	23	42	33	27	23	32	27	23	31	26	23	30	26
9	41	31	25	21	40	30	25	21	30	24	21	29	24	21	28	24
10	38	28	23	19	37	28	23	19	27	22	19	27	22	19	26	22

**Zonal Lumen Summary**

Zone	Lumens	% Lamp	% Luminaire
0-30	2284	20	27
0-40	3699	32	44
0-60	6630	57	79
0-90	8341	72	100
90-120	0	0	0
90-150	0	0	0
90-180	0	0	0
0-180	8341	72	100

Total Luminaire Optical Efficiency = 72.0%  
Spacing Criterion: 0° = 1.20, 90° = 1.27

**TECHNISEAL® LOW PROFILE GRID TROFFER ORDERING INFORMATION:**

SERIES	WIDTH	LAMP QTY	LAMP TYPE	LENS	OPT MAT	OPTIONS	VOLTAGE
<b>R7</b> Damp Location Cleanroom	<b>C</b> 11 3/4" <b>A</b> 23 3/4"	<b>2</b> C width <b>3</b> C width <b>4</b> A width <b>6</b> A width		<b>2</b> .125 Clear Acrylic (No Pattern) <b>3</b> .125 White Acrylic <b>4</b> .140 Prismatic Acrylic (P12) (base) <b>6</b> .125 Clear Polycarbonate (No Pattern) <b>7</b> .125 White Polycarbonate <b>8</b> .156 Prismatic Polycarbonate (P12) <b>9</b> .187 Tempered Glass (P62)	<b>LENSES AVAILABLE FOR FOOD ZONE</b> <b>6</b> .125 Clear Polycarbonate (No Pattern) <b>7</b> .125 White Polycarbonate <b>8</b> .156 Prismatic Polycarbonate (P12) (base) <b>9</b> .187 Tempered Glass (P62)	<b>EM1</b> Bodine LP500 DRY/ IOTA ISL28 DRY or similar <b>EM7</b> Bodine LP550 DRY/ IOTA ISL-54 DRY or similar <b>F1</b> GLR/HLR Fusing (Fast) <b>F2</b> GMF/HLR Fusing (Slow) <b>H0</b> Special Lens (Specify) <b>H2</b> .150 Extra Heavy Clear Acrylic <b>H3</b> .150 Extra Heavy White Acrylic <b>H5</b> .156 C73 Tempered Glass <b>H6</b> .187 Clear Tempered Glass <b>J2</b> .060 Clear Acrylic Overlay <b>J6</b> .080 Clear Polycarbonate Overlay <b>J9</b> RFI Lens (Specify Pattern) <b>K3</b> .187 KSH-12 Acry-Tuf Acrylic <b>K6</b> External Prisms (N/A Splash/Food Zones) <b>MISC</b> <b>P9</b> Special Paint Color (Provide Paint Code & Chip) <b>S1</b> Special Material (Consult Agent) <b>T3</b> Tamper Resistant (Hex w/pin STD, Others Avail)	<b>120V-277V/60Hz STD</b> 347V/60Hz 50Hz & Other Voltages Available
<b>SR7</b> Splash Zone							
<b>FR7</b> Food Zone							
<b>14T5</b> F14T5 (2FT) 0°				<b>*S2</b> Stainless Steel Housing <b>*S3</b> Stainless Steel Exterior <b>*S5</b> Stainless Steel Lens Frame Only			
<b>28T5</b> F28T5 (4FT) 0°				<b>* Note:</b> If Stainless Steel is ordered, 304 SS Standard, 316 SS and other materials available, consult agent.			

1 Inch T-Bar Standard

**NSF Food Processing Note:**

Food Zone (F prefix) luminaires come in DIRECT CONTACT with food.  
Splash Zone (S prefix) units may become soiled, but are outside the danger of recontamination.

Information subject to change without notice. Lamps supplied by others.

© 2010 Paramount Industries, Inc. P.O. Box 259 Croswell, MI 48422

**Project Information:**

