



R1/R2/R3 Series

HID | SURFACE **S**



HID CYLINDER LITE APPLICATIONS:

- Industrial & Commercial
- Transit

BENEFITS:

- Luminaires adaptable to your specific needs

FEATURES:

- Three diameters to choose from
- Available in stainless steel construction
- Every luminaire tested with lamps to assure customer satisfaction
- 5 year limited warranty
- Proudly made in **USA**

SPECIFICATIONS:

HOUSING:

Constructed of nominal 18GA (.048) zinc coated steel for unmatched corrosion protection. One welded, tapered, threaded flange on the top provides a sealed wireway access. All seams are sealed with a long life acrylic sealant.

REFLECTOR:

Spun of anodized aluminum.

LENS FRAME:

Spun of nominal 18GA (.048) zinc coated steel, painted white.

GASKETING:

.187 closed cell sponge silicone is used to seal the lens to the frame and the frame to the housing.

FINISH:

Painted surfaces are two mil of white polyester enamel, special colors available.

LENS:

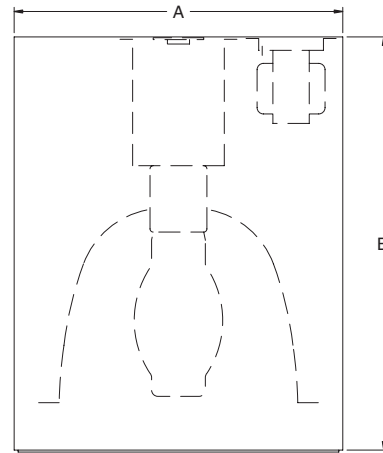
.187 Pattern 62 tempered glass.

ELECTRICAL:

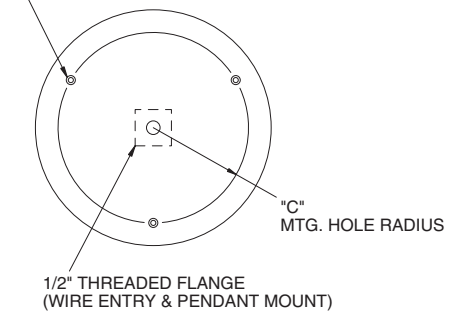
Core and coil ballast standard. Porcelain mogul base lampholder has a nickel plated screw shell. Mogul base lampholder is provided for lamps 100W or higher; for less than 100W, provided with medium base lampholder.

MOUNTING:

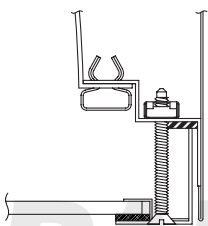
Surface, pendant or custom detail available for covered ceiling installations.



9/32" DIA. EMBOSSED MOUNTING HOLES
(SURFACE MOUNT ONLY)



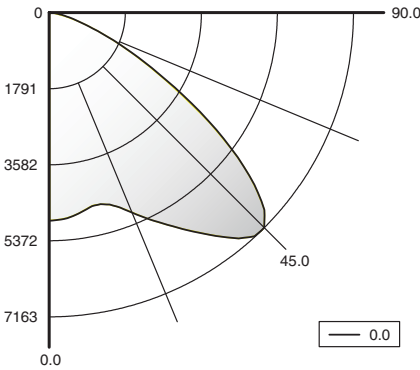
LUMINAIRE	DIMENSIONS IN INCHES		
	A	B	C
R1	13	16 3/8	5 1/4
R2	16	18	6
R3	20	24	7 1/2



LENS FRAME DETAIL

R1/R2/R3 Series

PHOTOMETRICS: For additional photometry, go to paramountlighting.com
 Model R3400M9, Diffuse Reflector And Tempered Glass Lens, 1 400W MH Lamp, Lamp Lumen Rating = 36000



Coefficients of Utilization, Zonal Cavity Method

Floor Cavity Reflectance: 20%

RC	.8			.7			.5			.3			.1			0		
RW	.7	.5	.3	.1	.7	.5	.3	.1	.5	.3	.1	.5	.3	.1	.5	.3	.1	0
R 0	68	68	68	68	67	67	67	67	64	64	64	61	61	61	58	58	58	57
C 1	63	60	58	56	61	59	57	55	57	55	53	54	53	52	52	51	50	49
R 2	57	53	49	46	56	52	48	45	50	47	44	48	45	43	46	44	42	41
3	52	46	41	38	51	45	41	37	43	40	37	42	39	36	40	38	35	34
4	47	40	35	32	46	40	35	31	38	34	31	37	33	30	36	33	30	29
5	43	36	31	27	42	35	30	26	34	30	26	33	29	26	32	28	26	24
6	40	32	27	23	38	31	26	23	30	26	22	29	25	22	28	25	22	21
7	36	28	23	20	35	28	23	20	27	23	19	26	22	19	25	22	19	18
8	34	26	21	17	33	25	20	17	24	20	17	24	20	17	23	19	17	16
9	31	23	18	15	30	23	18	15	22	18	15	21	18	15	21	17	15	14
10	29	21	16	13	28	21	16	13	20	16	13	20	16	13	19	16	13	12

Zonal Lumen Summary

Zone	Lumens	% Lamp	% Luminaire
0-30	4283	11.9	20.7
0-40	8297	23	40
0-60	17929	49.8	86.5
0-90	20718	57.5	100
90-120	0	0	0
90-130	0	0	0
90-150	0	0	0
90-180	0	0	0
0-180	20718	57.5	100

Total Luminaire Optical Efficiency = 57.7%
 Spacing Criterion: 2.03

HID CYLINDER LITE ORDERING INFORMATION:

SERIES	LAMP WATTS	LAMP TYPE	9	OPT MAT	OPTIONS	VOLTAGE
R1 13" Diam. R2 16" Diam. R3 20" Diam.	R1: 50 Medium Base 70 Medium Base 100 Medium Base 150 Mogul Base 175 Mogul Base, MH only R2: 50 Medium Base 70 Medium Base 100 Medium Base 150 Mogul Base 175 Mogul Base, MH only 200 Mogul Base, MH only 250 Mogul Base R3: 100 Medium Base 150 Mogul Base 175 Mogul Base, MH only 200 Mogul Base, MH only 250 Mogul Base 320 Mogul Base, MH only 350 Mogul Base, MH only 400 Mogul Base	M MH S HPS	9 .187 Tempered Glass (P62)	*S3 Stainless Steel Exterior * Note: If Stainless Steel is ordered, 304 SS Standard, 316 SS and other materials available, consult agent.	FUSING F2 GMF/HLR Fusing (Slow) L1 Medium Base Lampholder (100W-150W) LENSING H5 .156 C73 Tempered Glass H6 .187 Clear Tempered Glass J2 .060 Clear Acrylic Overlay J6 .080 Clear Polycarbonate Overlay K6 External Prisms MOUNTING M1 Pendant Mount (Pendants By Others) M2 Mounting Bracket Kit (Surface) MISC P9 Special Paint Color (Provide Paint Code & Chip) S1 Special Material (Consult Agent) T3 Tamper Resistant (Hex w/pin STD, Others Avail) Y3 Quartz Restrike Add hyphens between options	120V/60Hz STD 208V/60Hz 240V/60Hz 277V/60Hz 347V/60Hz 480V/60Hz 50Hz Available

Project Information:

Information subject to change without notice. Lamps supplied by others.

© 2010 Paramount Industries, Inc. P.O. Box 259 Croswell, MI 48422

