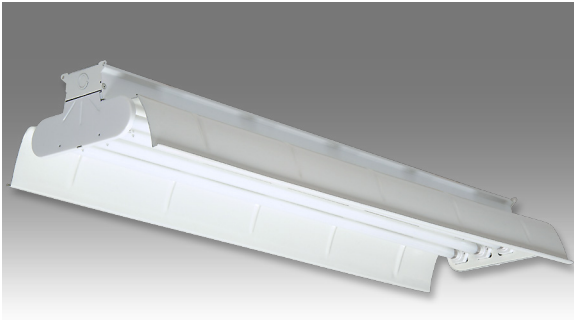




M4/M6 Series

FLUORESCENT | SURFACE **S**



CMC INDUSTRIAL APPLICATIONS:

- UL/CUL Listed Dry Location
- Industrial & Commercial

BENEFITS:

- Luminaires adaptable to your specific needs

FEATURES:

- Full 16" wide reflector
- 2 or 4 lamp configurations
- Patented reflector retaining spring latch
- Premium electronic ballast standard
- Every luminaire tested with lamps to assure customer satisfaction
- 5 year limited warranty
- Proudly made in **USA**

SPECIFICATIONS:

HOUSING:

Constructed of nominal 20GA (.036) zinc coated steel for unmatched corrosion protection. Knockouts on the ends and top of the luminaire provide wireway access.

DIE FORMED REFLECTOR:

All reflectors feature deep ribs, embossed upright apertures, railed edges and reinforced mounting slots for durability. Available materials listed below by series.

M4- Zinc coated steel, painted white with 88% reflectance.

M6- Anodized aluminum with 70% reflectance.

LIGHT CONTROL:

Uplight apertures provide 25% uplight. Optional square cell louver offers a 33° x 33° shielding.

FINISH:

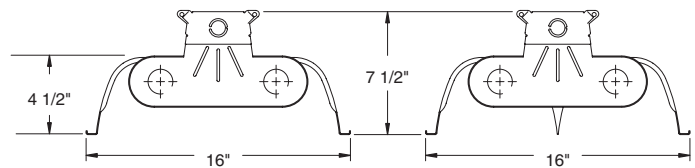
Painted surfaces are two mil of white polyester enamel.

ELECTRICAL:

All ballasts and lampholders are UL Listed.

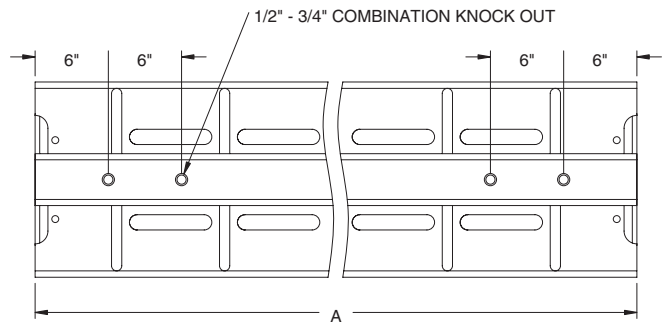
MOUNTING:

Chain, surface, pendant or custom detail available.



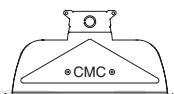
STANDARD CMC LUMINAIRE

CMC W/ CENTER V-REFLECTOR



LENGTH	DIM IN INCHES
	A
4 FT HO	48 3/4
4 FT RS	49
8 FT HO	96 3/4
8 FT TDM RS	97 7/8

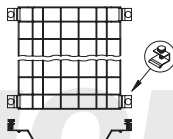
REFLECTOR END CAP -R1



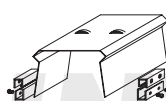
CENTER REFLECTOR "V" -R2



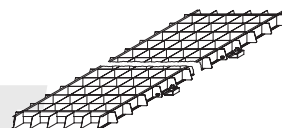
WIRE GUARD -J8



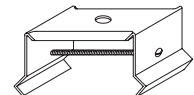
REFLECTOR ALIGNER BRACKET -M5



LOUVER -J7



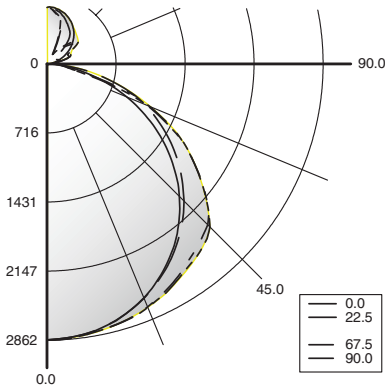
ICE TONG MOUNTING HANGER -M4



M4/M6 Series



PHOTOMETRICS: For additional photometry, go to paramountlighting.com
 Model M44320, 4FT, Porcelain Reflector, 4 32W T8 Fluorescent Lamps, Lamp Lumen Rating = 3050



Coefficients of Utilization, Zonal Cavity Method

Floor Cavity Reflectance: 20%

RC	.8			.7			.5			.3			.1			0		
RW	.7	.5	.3	.1	.7	.5	.3	.1	.5	.3	.1	.5	.3	.1	.5	.3	.1	0
R 0	99	99	99	99	96	96	96	96	89	89	89	82	82	82	77	77	77	74
C 1	90	86	83	79	87	83	80	77	78	75	72	72	70	68	67	66	64	62
R 2	82	75	69	64	79	72	67	62	67	63	59	63	59	56	59	56	53	51
3	74	65	58	53	71	63	57	52	59	54	49	55	51	47	51	48	45	42
4	68	58	50	44	65	56	49	43	52	46	42	49	44	40	46	41	38	36
5	62	51	43	38	60	50	42	37	46	40	36	43	38	34	41	36	33	31
6	57	46	38	33	55	44	37	32	42	35	31	39	34	30	37	32	28	26
7	53	41	34	28	51	40	33	28	38	31	27	35	30	26	33	29	25	23
8	49	37	30	25	47	36	30	25	34	28	24	32	27	23	30	26	22	20
9	46	34	27	22	44	33	27	22	31	25	21	30	24	21	28	23	20	18
10	43	31	25	20	41	31	24	20	29	23	19	27	22	19	26	21	18	16

Zonal Lumen Summary

Zone	Lumens	% Lamp	% Luminaire
0-30	2270	18.6	21.6
0-40	3792	31.1	36.2
0-60	7048	57.8	67.2
0-90	9071	74.4	86.5
90-120	453	3.7	4.3
90-130	681	5.6	6.5
90-150	1038	8.5	9.9
90-180	1417	11.6	13.5
0-180	10488	86	100

Total Luminaire Optical Efficiency = 86.0%
 Spacing Criterion: 0° = 1.26, 90° = 1.37

CMC INDUSTRIAL LUMINAIRE ORDERING INFORMATION:

SERIES	LAMP QTY	LAMP TYPE	LENS	OPTIONS	VOLTAGE
M4 Enamel M6 Anodized Aluminum	2 4 T4 Tandem T8 4 Tandem		0 Without lens (base)	EMERGENCY (SPECIFY VOLTAGE) EM3 Bodine B50/IOTA I-320-DL or similar EM5 Bodine B70A DRY/IOTA I-48 DRY or similar BALLASTS (SPECIFY VOLTAGE) D4 < 10% THD (Consult Factory) E0 Low-Temp Electronic (N/A T12 RS & VHO) E2 2 Electronic Ballasts E9 Rapid Start Electronic Ballast FUSING F1 GLR/HLR Fusing (Fast) F2 GMF/HLR Fusing (Slow) LENSING J7 Louver J8 Wire Guard MOUNTING M4 Ice Tong Hangers M5 Aligner Kits MISC R1 Reflector End Caps R2 V Reflector N/A In 4L RS W4 Inboard Outboard Wiring (Dual Switching)	120V-277V/60Hz STD 347V/60Hz 50Hz & Other Voltages Available
TANDEM LAMPS Tandem lamps are tandem wired					
32	F32T8	(4FT)	0°		
48H	F48T12/HO	(4FT)	-20°		
48T8H	F48T8/HO	(4FT)	-20°		
96H	F96T12/HO	(8FT)	-20°		
96T8	F96T8	(59W)	50°		
96T8H	F96T8/HO	(8FT)	-20°		
32	F32T8	(8FT)	0°		

Add hyphens between options

Other Wattages Available, Consult Factory.

Project Information:

Information subject to change without notice. Lamps supplied by others.

© 2010 Paramount Industries, Inc. P.O. Box 259 Croswell, MI 48422

