



### CUBE LITE

#### APPLICATIONS:

- UL/CUL Listed Damp Location
- Industrial & Commercial
- Transit

#### BENEFITS:

- Luminaires adaptable to your specific needs
- Long-life lamp means less maintenance

#### FEATURES:

- Every luminaire provided with Osram-Sylvania's Icteron® electrodeless lamp and electronic ballast system
- Available in stainless steel construction
- Every luminaire tested with lamps to assure customer satisfaction
- 5 year limited warranty
- Proudly made in **USA**

## SPECIFICATIONS:

#### HOUSING:

Constructed of nominal 20GA (.036) zinc coated steel for unmatched corrosion protection. One welded, tapered, threaded flange on the top provides a sealed wireway access. All seams are sealed with a long life acrylic sealant.

#### REFLECTOR:

Fabricated of painted aluminum.

#### LENS FRAME:

Exclusively designed, heavy duty, extruded, anodized aluminum with captive screws used to hold the lens frame tight to the housing. The frame is supported by stainless steel cables while servicing.

#### GASKETING:

Sealant is used to seal the lens into the frame. Our exclusive, mechanically held, extruded silicone gasket is used to seal the frame to the housing.

#### FINISH:

Painted surfaces are two mil of white polyester enamel, special colors available.

#### LENS:

Formed drop acrylic lens with prismatic pattern (P35) on inside.

#### LAMP:

100w, 4100K provided standard.

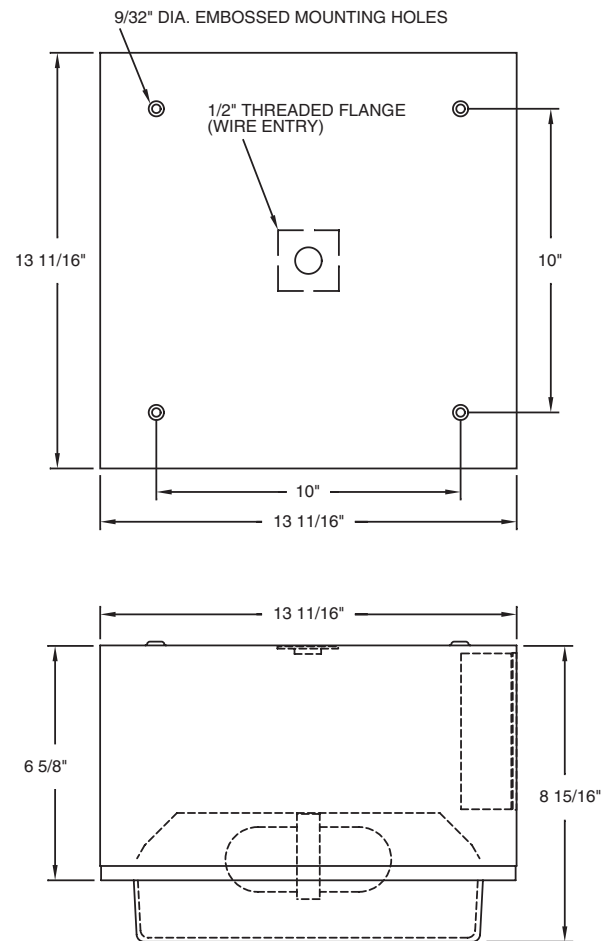
#### MOUNTING:

Surface, pendant or custom available for covered ceiling installations.

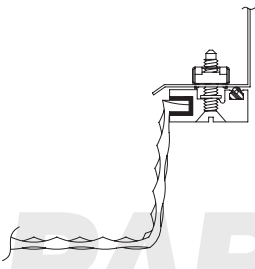
#### TEMPERATURE CODE:

Suitable for use in rooms with a maximum ambient temperature of 98°F.

**( No fixture surface exposed to the hazardous atmosphere will exceed this temperature. Based on 40°C (104°F) ambient. )**



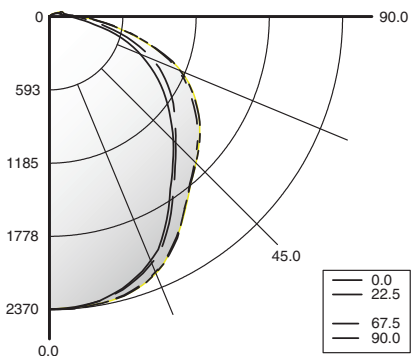
*Icteron is a registered trademark of Osram-Sylvania*



ALUMINUM LENS FRAME DETAIL

**PHOTOMETRICS:** For additional photometry, go to [paramountlighting.com](http://paramountlighting.com)

Model H9100/QT1505-98F, White Reflector and Acrylic Drop Lens, 1 100W Electrodeless Lamp, Lamp Lumen Rating = 11000



**Coefficients of Utilization, Zonal Cavity Method**

Floor Cavity Reflectance: 20%

RC	.8			.7			.5			.3			.1			0		
RW	.7	.5	.3	.1	.7	.5	.3	.1	.5	.3	.1	.5	.3	.1	.5	.3	.1	0
R 0	86	86	86	86	83	83	83	83	79	79	79	75	75	75	71	71	71	69
C 1	77	73	69	66	75	71	68	65	67	64	62	64	62	59	61	59	57	55
R 2	69	63	57	53	67	61	56	52	58	54	50	55	51	48	52	49	47	45
3	63	55	48	43	61	53	47	42	51	45	41	48	44	40	46	42	39	37
4	57	48	41	36	55	47	41	36	45	39	35	43	38	34	41	36	33	31
5	53	43	36	31	51	42	35	31	40	34	30	38	33	29	36	32	29	27
6	49	38	32	27	47	38	31	27	36	30	26	34	29	26	33	29	25	23
7	45	35	28	24	44	34	28	23	33	27	23	31	26	23	30	26	22	21
8	42	32	25	21	41	31	25	21	30	24	20	29	24	20	28	23	20	18
9	39	29	23	19	38	29	23	19	27	22	18	26	22	18	25	21	18	16
10	37	27	21	17	36	26	21	17	25	20	17	24	20	16	24	19	16	15

**Zonal Lumen Summary**

Zone	Lumens	% Lamp	% Luminaire
0-30	1872	17	23
0-40	3013	27	38
0-60	5397	49	68
0-90	7608	69	95
90-120	339	3	4
90-150	382	3	5
90-180	382	3	5
0-180	7990	73	100

Total Luminaire Optical Efficiency = 73.0%  
Spacing Criterion: 0° = 1.19, 90° = 1.27

**ELECTRODELESS CUBE LITE ORDERING INFORMATION:**

<b>H9</b>					<b>98F</b>		
<b>SERIES</b>	<b>LAMP/BALLAST COMB</b>	<b>LENS</b>	<b>OPT MAT</b>	<b>MAX AMBIENT</b>	<b>OPTIONS</b>	<b>VOLTAGE</b>	
H9	Damp Location						
	100/QT100 100W lamp + 100W ballast -40° 100/QT150 100W lamp + 150W ballast -40°	5 Acrylic Drop Lens (base) 8 Polycarbonate Drop Lens 9 .187 Tempered Glass (P62)			<b>FUSING</b> <b>F2</b> GMF/HLR Fusing (Slow) <b>MOUNTING</b> <b>M1</b> Pendant Mount (Pendants By Others) <b>M2</b> Mounting Bracket Kit (Surface) <b>MISC</b> <b>P9</b> Special Paint Color (Provide Paint Code & Chip) <b>S1</b> Special Material (Consult Agent) <b>T3</b> Tamper Resistant (Hex w/pin STD, Others Avail) <b>L9</b> Specify Lamp Color Temperature (K) Add hyphens between options	120V-277V60Hz STD 50Hz Available	

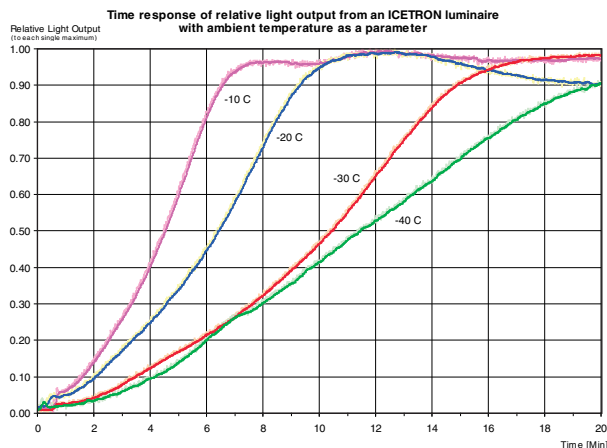
Tempered Glass Lens is flat and changes overall height.

- \*S2 Stainless Steel Housing
- \*S3 Stainless Steel Exterior
- \*S5 Stainless Steel Lens Frame Only

\* Note:  
If Stainless Steel is ordered, 304 SS Standard, 316 SS and other materials available, consult agent.  
- S2/S3 Requires 8" housing

**Note:**

Low starting temperatures require run-up time. Consult factory for details. (Chart provided by Osram-Sylvania.)



Supplied with integrated lamp/ballast system.

Other color temperatures, wattages and materials are available, Consult factory.

**Project Information:**

Information subject to change without notice.

© 2010 Paramount Industries, Inc. P.O. Box 259 Croswell, MI 48422