



G4 Rear Access Series

FLUORESCENT | GRID **G**



2x TECHNISEAL® APPLICATIONS:

- UL/CUL Listed Wet Location
- Cleanroom (Classes 100-100,000; ISO Classes 5-9)
- UL/CUL Hazardous Location (Class I, Division 2; Groups A, B, C & D Class II, Division 2; Groups F & G)
- NSF Certified Food Processing (Splash Zone, Food Zone)
- Industrial & Commercial
- Transit

BENEFITS:

- Luminaires adaptable to your specific needs
- Accessible from rear or front for servicing

FEATURES:

- Premium electronic ballast standard
- Available in stainless steel construction
- Every luminaire tested with lamps to assure customer satisfaction
- 5 year limited warranty
- Proudly made in **USA**

SPECIFICATIONS:

HOUSING:

Constructed of nominal 20GA (.036) zinc coated steel for unmatched corrosion protection. Two welded, tapered, threaded flanges on the top provide a sealed wireway access. All seams are sealed with a long life acrylic sealant.

Food Zone: All external metal components of stainless steel (S3 option std).

REFLECTOR:

Fabricated of zinc coated steel, painted with a minimum reflectance of 88%.

LENS FRAME:

Exclusively designed, heavy duty, extruded, anodized aluminum with stainless steel captive screws used to hold the lens frame tight to the housing. The frame is hinged for support while servicing.

Food Zone: All external metal components of stainless steel (S3 option std).

GASKETING:

An extruded, ribbed vinyl gasket seals the lens into the frame; with our exclusive, mechanically held, extruded, silicone gasket used to seal the frame to the housing.

Food Zone: Silicone sealant is used to seal the lens into the frame, with extruded EPDM sealing the frame to the housing.

FINISH:

Painted surfaces are two mil white polyester enamel, special colors available.

LENS:

.140 extruded prismatic acrylic with 50% DR content for durability, smooth side out.

Food Zone: .156 extruded prismatic polycarbonate, smooth side out.

ELECTRICAL:

All ballasts and lampholders are UL Listed.

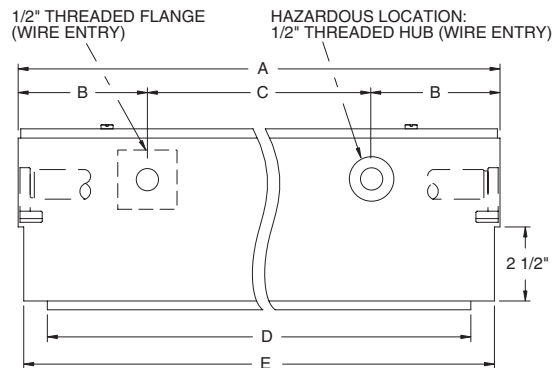
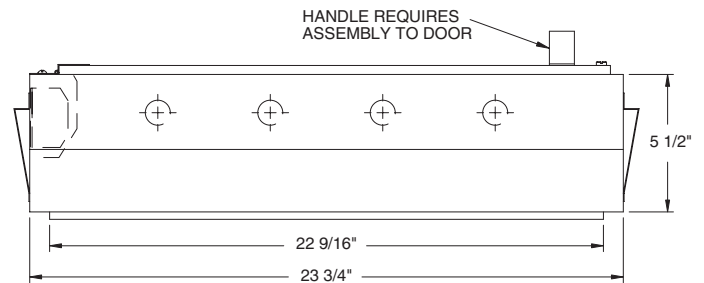
MOUNTING:

Grid or custom detail available.

TEMPERATURE CODE:

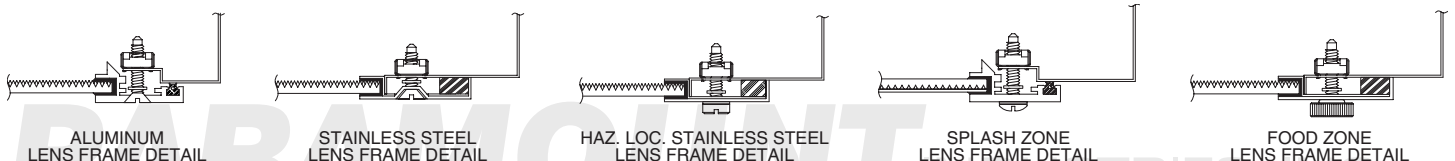
Class I, Div. 2= T5 (100°C); Class II, Div. 2= T5 (100°C)

(No fixture surface exposed to the hazardous atmosphere will exceed this temperature. Based on 40°C (104°F) ambient.)



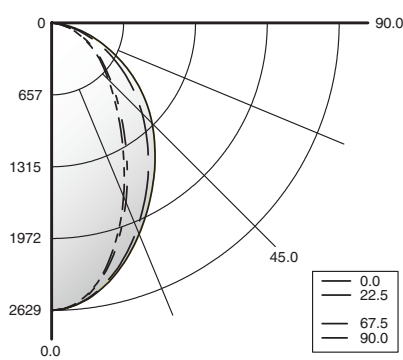
LENGTH	DIMENSIONS IN INCHES				
	A	B	C	D	E
2 FT	23 29/32	1 31/32	20	22 9/16	23 17/32
3 FT	35 29/32	1 31/32	32	34 1/2	35 17/32
4 FT	47 29/32	1 31/32	44	46 1/2	47 17/32

LENS FRAME DETAILS:



G4 RA Series

PHOTOMETRICS: For additional photometry, go to paramountlighting.com
 Model G44324-R5, 4FT, Specular Reflector and Prismatic Acrylic Lens, 4 32W T8 Fluorescent Lamps, Lamp Lumen Rating = 3050



Coefficients of Utilization, Zonal Cavity Method

Floor Cavity Reflectance: 20%

RC	.8			.7			.5			.3			.1			0
RW	.7	.5	.3	.7	.5	.3	.5	.3	.1	.5	.3	.1	.5	.3	.1	0
R 0	84	84	84	84	82	82	82	78	78	75	75	75	72	72	72	71
C 1	78	75	72	69	76	73	71	68	70	68	66	67	66	64	65	63
R 2	71	66	61	58	69	65	60	57	62	59	56	60	57	54	58	55
R 3	65	58	53	49	64	57	52	48	55	51	48	53	50	47	52	49
4	60	52	46	42	59	51	46	42	50	45	41	48	44	41	46	43
5	56	47	41	37	54	46	41	36	45	40	36	43	39	36	42	38
6	52	43	37	32	50	42	36	32	41	36	32	40	35	32	39	35
7	48	39	33	29	47	38	33	29	37	32	29	36	32	28	35	31
8	45	36	30	26	44	35	30	26	34	29	26	34	29	26	33	29
9	42	33	27	24	41	33	27	24	32	27	24	31	27	23	30	26
10	40	31	25	22	39	30	25	22	30	25	22	29	25	21	28	24

Zonal Lumen Summary

Zone	Lumens	% Lamp	% Luminaire
0-30	2991	24.5	34.6
0-40	4553	37.3	52.6
0-60	7239	59.3	83.7
0-90	8650	70.9	100
90-120	0	0	0
90-130	0	0	0
90-150	0	0	0
90-180	0	0	0
0-180	8650	70.9	100

Total Luminaire Optical Efficiency = 70.9%
 Spacing Criterion: 0° = 1.07, 90° = 0.91

2x TECHNISEAL® REAR ACCESS GRID TROFFER ORDERING INFORMATION:

SERIES	LAMP QTY	LAMP TYPE	LENS	OPT MAT	GRID	OPTIONS	VOLTAGE
G4	Wet Location	2*	2 .125 Clear Acrylic (No Pattern)			EM2 Bodine BDL700 WET/IOTA I-48-DL WET or similar	120V-277V/60Hz STD 347V/60Hz 50Hz & Other Voltages Available
	Cleanroom	3*	3 .125 White Acrylic			EM3 Bodine B50/IOTA I-320-DL or similar	
HG4*	Hazardous	4* Standard	4 .140 Prismatic Acrylic (P12) (base)			EM4 Bodine BDL900 WET/IOTA I-40-DL WET or similar	
SG4	Splash Zone		6 .125 Clear Polycarbonate (No Pattern)			EM8 Bodine BHD65U T8 HAZ. LOC.	
FG4	Food Zone		7 .125 White Polycarbonate			BALLASTS (SPECIFY VOLTAGE)	
			8 .156 Prismatic Polycarbonate (P12)			D1 Lutron Dimming ECO-10	
			9 .187 Tempered Glass (P62)			D2 Electronic Dimming	
			LENSES AVAILABLE FOR FOOD ZONE			D4 < 10% THD (Consult Factory)	
			6 .125 Clear Polycarbonate (No Pattern)			E0 Low-Temp Electronic (N/A T12RS & VHO)	
			7 .125 White Polycarbonate			E2 2 Electronic Ballasts	
			8 .156 Prismatic Polycarbonate (P12) (base)			E3 3 Electronic Ballasts	
			9 .187 Tempered Glass (P62)			E4 4 Electronic Ballasts	
			Colored acrylic lens available, consult agent.			E9 Rapid Start Electronic Ballast	
						FUSING	
						F1 GLR/HLR Fusing (Fast)	
						F2 GMF/HLR Fusing (Slow)	
						LENSING	
						H0 Special Lens (Specify)	
						H2 .150 Extra Heavy Clear Acrylic	
						H3 .150 Extra Heavy White Acrylic	
						H5 .156 C73 Tempered Glass	
						H6 .187 Clear Tempered Glass	
						J0 Lamp Sleeves (Specify Color)	
						J2 .060 Clear Acrylic Overlay	
						J4 .020 White Acrylic Overlay (Lamp Side)	
						J6 .080 Clear Polycarbonate Overlay	
						J7 Louver (Specify)	
						J9 RFI Lens (Specify Pattern)	
						K3 .187 KSH-12 Acry-Tuf Acrylic	
						K6 External Prisms (N/A Splash/Food Zones)	
						MISC	
						P9 Special Paint Color (Provide Paint Code & Chip)	
						R5 Specular Aluminum Reflector	
						S1 Special Material (Consult Agent)	
						T3 Tamper Resistant (Hex w/pin STD, Others Avail)	
						V1 External Gasketing	
						V3 No Silicone Sealant Used	
						W4 Inboard Outboard Wiring (Dual Switching)	
						Y5 RFI Suppressors	

* Lamp Type Available for Hazardous Location.
 Other Wattages and Lengths Available, Consult Factory.
NSF Food Processing Note:
 Food Zone (F prefix) luminaires come in DIRECT CONTACT with food.
 Splash Zone (S prefix) units may become soiled, but are outside the danger of recontamination.

Hazardous Location: Food Processing: US

Project Information: