



### 2x SURGICAL TECH-NISEAL®

#### APPLICATIONS:

- UL/CUL Listed Wet Location
- Cleanroom (Classes 100-100,000; ISO Classes 5-9)

#### BENEFITS:

- Designed specifically for supplementary Surgical Suite Illumination
- Luminaires adaptable to your specific needs

#### FEATURES:

- Premium electronic ballast standard
- Available in stainless steel construction
- Guardcraft® antimicrobial coating available
- Every luminaire tested with lamps to assure customer satisfaction
- Available **Plenum Access Panel**
- 5 year limited warranty
- Proudly made in **USA**

## SPECIFICATIONS:

#### HOUSING:

Constructed of nominal 20GA (.036) zinc coated steel for unmatched corrosion protection. Two welded, tapered, threaded flanges on the top provide a sealed wireway access. All seams are sealed with a long life acrylic sealant.

#### REFLECTOR:

Fabricated of zinc coated steel, painted with a minimum reflectance of 88%.

#### LENS FRAME:

Exclusively designed, heavy duty, extruded, anodized aluminum with stainless steel captive screws used to hold the lens frame tight to the housing. The frame is hinged for support while servicing.

#### GASKETING:

An extruded, ribbed vinyl gasket seals the lens into the frame; with our exclusive, mechanically held, extruded, silicone gasket used to seal the frame to the housing.

#### FINISH:

Painted surfaces are two mil white polyester enamel, special colors available.

ALSO AVAILABLE: Paramount's special Guardcraft® antimicrobial coating with nano silver technology to inhibit growth of bacteria on the coating surface. Silver nano particles approximately 1000 times smaller in diameter than a human hair are evenly dispersed throughout the coating to provide long term protection.

#### LENS:

.150 extruded acrylic. Asymmetric/Symmetric distribution consisting of male cone prisms and linear elevating and depressing prisms, with radio frequency interference shielding. Complies with applicable government RFI specifications MIL-STD-461A, MIL-STD-462, MIL-STD-463

#### ELECTRICAL:

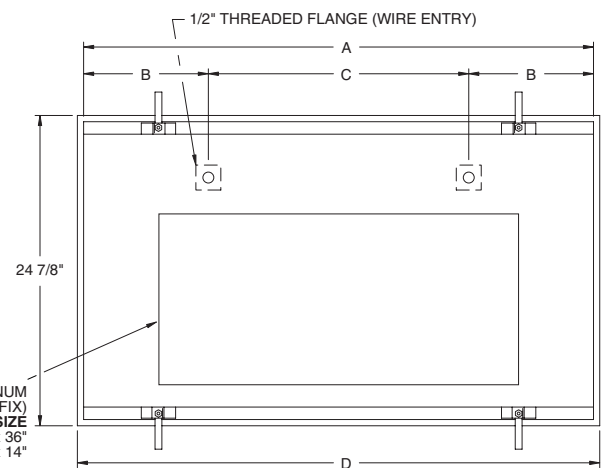
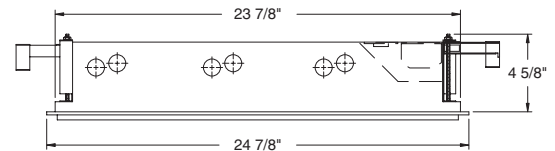
All ballasts and lampholders are UL Listed.

#### MOUNTING:

Flange or custom detail available.

#### PLENUM ACCESS:

Plenum access available in flange troffer by way of a hinged door that opens downward once the lamps are removed



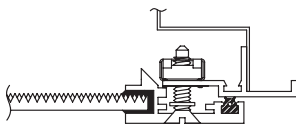
OPTIONAL PLENUM ACCESS PANEL (X4 SUFFIX)  
OPENING SIZE  
2x4: 14" x 36"  
2x2: 14" x 14"

LENGTH	DIMENSIONS IN INCHES			
	A	B	C	D
2FT	23 15/16	1 1/4	21 3/8	24 7/8
4FT	47 15/16	5	38	49 1/16

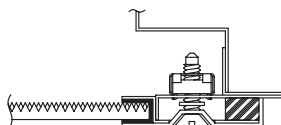
#### CEILING CUT-OUT DIMENSIONS:

**2FT:** 24 1/4" x 24 1/4"  
**4FT:** 24 1/4" x 48 1/4"

## LENS FRAME DETAILS:



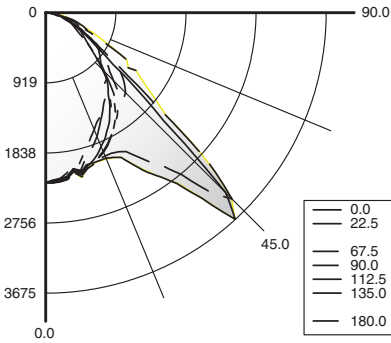
ALUMINUM LENS FRAME DETAIL



STAINLESS STEEL LENS FRAME DETAIL

**PHOTOMETRICS:** For additional photometry, go to [paramountlighting.com](http://paramountlighting.com)

Model F73321, 4FT, White Interior and Light-controlled Acrylic Lens, 3 32W T8 Fluorescent Lamps, Lamp Lumen Rating = 2950



**Coefficients of Utilization, Zonal Cavity Method**

Floor Cavity Reflectance: 20%

RC	.8			.7			.5			.3			.1			0		
RW	.7	.5	.3	.1	.7	.5	.3	.1	.5	.3	.1	.5	.3	.1	.5	.3	.1	0
R 0	78	78	78	78	76	76	76	76	72	72	72	69	69	69	66	66	66	65
C 1	71	69	66	64	70	67	65	63	64	62	61	62	60	59	59	58	57	56
R 2	65	60	56	53	64	59	55	52	57	54	51	55	52	50	53	50	48	47
3	60	53	48	44	58	52	47	44	50	46	43	48	45	42	47	44	41	40
4	55	47	42	38	53	46	41	37	45	40	37	43	39	36	42	39	36	34
5	50	42	37	32	49	42	36	32	40	35	32	39	35	32	38	34	31	30
6	47	38	32	28	45	37	32	28	36	31	28	35	31	28	34	30	27	26
7	43	34	29	25	42	34	29	25	33	28	25	32	28	24	31	27	24	23
8	40	31	26	22	39	31	26	22	30	25	22	29	25	22	29	25	22	20
9	37	29	23	20	36	28	23	20	28	23	20	27	23	20	26	22	19	18
10	35	26	21	18	34	26	21	18	25	21	18	25	21	18	24	20	18	16

**Zonal Lumen Summary**

Zone	Lumens	% Lamp	% Luminaire
0-30	1637	18.5	28.4
0-40	2723	30.8	47.2
0-60	4886	55.2	84.7
0-90	5768	65.2	100
90-120	0	0	0
90-130	0	0	0
90-150	0	0	0
90-180	0	0	0
0-180	5768	65.2	100

Total Luminaire Optical Efficiency = 65.2%  
Spacing Criterion: 0° = 2.01, 90° = 1.18

**2x SURGICAL TECHNISEAL® FLANGE TROFFER ORDERING INFORMATION:**

F7 SERIES	LAMP QTY	LAMP TYPE	1 LENS	OPT MATERIAL	OPTIONS	VOLTAGE
F7 Wet Location Cleanroom	3 6		1 .150 Extruded Acrylic Asymmetric/Symmetric		<b>EMERGENCY (SPECIFY VOLTAGE)</b> <b>EM3</b> Bodine B50/IOTA I-320-DL or similar <b>EM5</b> Bodine B70A DRY/IOTA I-48 DRY or similar <b>BALLASTS (SPECIFY VOLTAGE)</b> <b>D1</b> Lutron Dimming ECO-10 <b>D2</b> Electronic Dimming <b>D4</b> < 10% THD (Consult Factory) <b>E0</b> Low Temp Electronic (N/A T12RS & VHO) <b>E9</b> Rapid Start Electronic Ballast <b>FUSING</b> <b>F1</b> GLR/HLR Fusing (Fast) <b>F2</b> GMF/HLR Fusing (Slow) <b>MISC</b> <b>J0</b> Lamp Sleeves (Specify Color) <b>P5</b> Surgical Plaster Frame (Requires Specs) <b>P11</b> Guardcraft® Antimicrobial Coating <b>S1</b> Special Material (Consult Agent) <b>T3</b> Tamper Resistant (Hex w/pin STD, Others Avail) <b>V1</b> External Gasketing <b>V3</b> No Silicone Sealant Used <b>X4</b> Plenum Access Panel <b>Y5</b> RFI Suppressors	120V-277V/60Hz STD 347V/60Hz 50Hz & Other Voltages Available
17* F17T8 (2FT) 0°						
32 F32T8 (4FT) 0°						

- \*S2 Stainless Steel Housing
- \*S3 Stainless Steel Exterior
- \*S5 Stainless Steel Lens Frame Only
- \*S6 SS Lens Frame & Trim Frame

\* Note:  
If Stainless Steel is ordered, 304 SS Standard,  
316 SS and other materials available, consult agent.

**Note:**  
Due to the highly specialized lens, Paramount encourages the use of

- 1-3 Lamp Electronic Ballast for 3 Lamp Luminaires
- 2-3 Lamp Electronic Ballasts for 6 Lamp Luminaires

**Project Information:**

Information subject to change without notice. Lamps supplied by others.

© 2010 Paramount Industries, Inc. P.O. Box 259 Croswell, MI 48422