



CRAFT LITE®

APPLICATIONS:

- UL/CUL Listed Wet Location
- UL/CUL Hazardous Location (Class I, Division 2; Groups A, B, C & D; Class II, Division 2; Groups F & G)
- NSF Certified Food Processing (Splash Zone, Food Zone)
- Industrial & Commercial
- UL Listed Marine (Inside, Inside Drip-Proof)
- Transit

BENEFITS:

- Luminaires adaptable to your specific needs

FEATURES:

- Available with **IP 54 rating**, add -IP54 suffix (N/A In-Row)
- Square version available
- Available in Stainless Steel construction
- Premium electronic ballast standard
- Every luminaire tested with lamps to assure customer satisfaction
- 5 year limited warranty
- Proudly made in **USA**

SPECIFICATIONS:

HOUSING:

Constructed of 20GA (.036) zinc coated steel for unmatched corrosion protection. Featuring a double channel, one welded inside the other, with space between the channel sides to capture the diffuser. Threaded hubs are continuously welded into the channel ends providing a sealed wireway access. Removable plugs seal the hubs when not utilized.

Food Zone: All external metal components of stainless steel (S3 option std).

OPTIONAL PREMIUM MATERIALS:

S3 - External metal components of 304 stainless steel.

S4 - All metal components of 304 stainless steel.

REFLECTOR:

Fabricated of zinc coated steel, painted with a minimum reflectance of 88%.

END CAPS:

Die formed of 18GA (.048) stainless steel. A threaded, knurled ring secures the end cap to the luminaire housing. End caps secure lens.

GASKETING:

EPDM is used in the housing channels and end caps.

FINISH:

Painted surfaces are two mil white polyester enamel, special colors available.

LENS:

One piece nominal .125 white translucent cell cast virgin acrylic.

ELECTRICAL:

All ballasts and lampholders are UL Listed.

Marine: Utilizes a three gang terminal block for electrical connections.

MOUNTING:

Surface, chain, or pendant options available

for covered ceiling installations.

Continuous row luminaires manufactured with aligning pins and utilize joiner bands. For further information, contact Sales Representative.

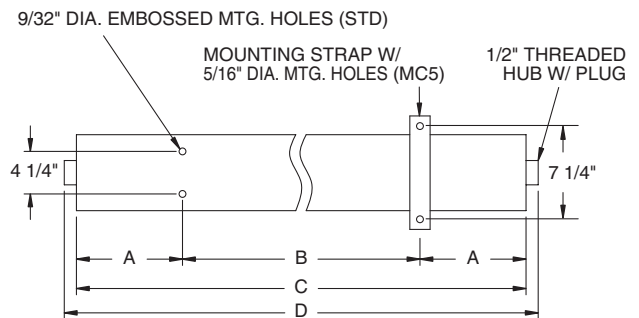
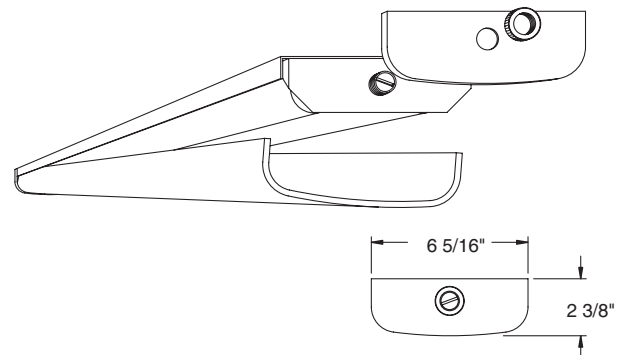
Splash and Food Zone: Surface for covered ceiling installations only.

Marine: Surface for covered ceiling installations only.

TEMPERATURE CODE:

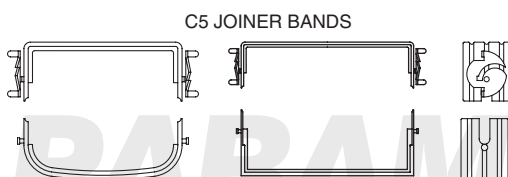
Class I, Div. 2= T4 (135°C); Class II, Div. 2= T3B (165°C)

(No fixture surface exposed to the hazardous atmosphere will exceed this temperature. Based on 40°C (104°F) ambient.)



1/2" THREADED FLANGE (OPTIONAL, WET LOC.)

LENGTH	DIMENSIONS IN INCHES			
	A	B	C	D
19"	4	10	18	19 1/8
2 FT T5	3 3/16	16	22 3/8	23 1/2
2 FT	4 1/16	16	24 1/8	25 1/4
3 FT T5	9 3/32	16	34 3/16	35 5/16
3 FT	10 1/16	16	36 1/8	37 1/4
4 FT T5	7	32	46	47 1/8
4 FT	8 1/16	32	48 1/8	49 1/4

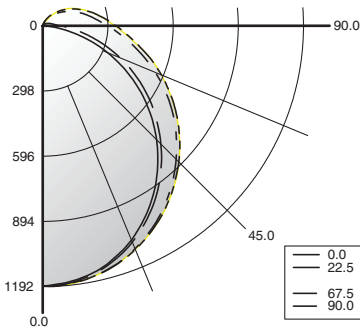


SQUARE POLYCARBONATE LENS AND END CAP



PHOTOMETRICS: For additional photometry, go to paramountlighting.com

Model C52323, 4FT, Specular Reflector and White Acrylic Lens, 2 32W T8 Fluorescent Lamps, Lamp Lumen Rating = 3050



Coefficients of Utilization, Zonal Cavity Method

Floor Cavity Reflectance: 20%

RC	.8				.7				.5				.3				.1				0
RW	.7	.5	.3	.1	.7	.5	.3	.1	.5	.3	.1	.5	.3	.1	.5	.3	.1	.5	.3	.1	0
R 0	83	83	83	83	80	80	80	80	75	75	75	70	70	70	65	65	65	63			
C 1	74	70	67	63	71	68	65	62	63	61	58	59	57	55	55	53	52	50			
R 2	67	60	55	51	64	58	53	49	54	50	47	51	47	45	47	45	42	40			
3	61	53	46	41	58	51	45	40	48	43	39	44	40	37	42	38	35	33			
4	55	46	40	35	53	45	39	34	42	37	33	39	35	31	37	33	30	28			
5	51	41	35	30	49	40	34	29	37	32	28	35	30	27	33	29	26	24			
6	47	37	30	26	45	36	30	25	34	28	24	32	27	23	30	26	23	21			
7	43	33	27	22	42	32	26	22	31	25	21	29	24	21	27	23	20	18			
8	40	30	24	20	39	29	24	20	28	23	19	26	22	18	25	21	18	16			
9	37	28	22	18	36	27	21	17	26	20	17	24	20	16	23	19	16	14			
10	35	25	20	16	34	25	19	16	24	19	15	22	18	15	21	17	14	13			

Zonal Lumen Summary

Zone	Lumens	% Lamp	% Luminaire
0-30	924	15.2	21.1
0-40	1518	24.9	34.7
0-60	2739	44.9	62.6
0-90	3868	63.4	88.4
90-120	394	6.5	9
90-130	453	7.4	10.3
90-150	502	8.2	11.5
90-180	508	8.3	11.6
0-180	4376	71.7	100

Total Luminaire Optical Efficiency = 71.7%
Spacing Criterion: 0° = 1.20, 90° = 1.30

CRAFT LITE® LUMINAIRE ORDERING INFORMATION:

SERIES	LAMP QTY	LAMP TYPE	LENS	OPT MATERIAL
2				
C5 Wet Location			2 .125 Clear Acrylic (No Pattern) (Cell Cast)	
HC5* Hazardous			3 .125 White Acrylic (base) (Cell Cast)	
SC5 Splash Zone			4 .140 50% DR Extruded Prismatic Acrylic (P20)	
FC5 Food Zone			6 .125 Clear Polycarbonate (No Pattern)	
RC5 Marine Inside			7 .125 White Polycarbonate	
MCS Inside Drip-proof			8 .156 Prismatic Polycarbonate (P12)	
			9 Square Polycarbonate (White Standard. Clear & prismatic available.)	
			LENSES AVAILABLE FOR FOOD ZONE	
			6 .125 Clear Polycarbonate (No Pattern)	
			7 .125 White Polycarbonate (base)	
			8 .156 Prismatic Polycarbonate (P12)	
			9 Square Polycarbonate (White Standard. Clear & prismatic available.)	
			Colored acrylic lens available, consult agent.	

OPTIONS	VOLTAGE
EMERGENCY (SPECIFY VOLTAGE)	120V-277V /60Hz STD
▼ EM2 Bodine BDL700 WET/IOTA I-48-DL WET or similar	347V/60Hz
▼ EM3 Bodine B50/IOTA I-320-DL or similar	50Hz & Other Voltages Available
▼ EM4 Bodine BDL900 WET/IOTA I-40-DL WET or similar	
BALLASTS (SPECIFY VOLTAGE)	
D4 < 10% THD (Consult Factory)	
E0 Low-Temp Electronic (N/A T12 RS & VHO)*	
E2 2 Electronic Ballasts	
E9 Rapid Start Electronic Ballast	
FUSING	
F1 GLR/HLR Fusing (Fast)	
F2 GMF/HLR Fusing (Slow)	
LENSING	
H2 .150 Extra Heavy Clear Acrylic	
H3 .150 Extra Heavy White Acrylic	
J0 Lamp Sleeves (Specify Color)	
J8 Wire Guard (N/A Splash/Food Zones)	
MOUNTING	
M1 Pendant Mount (Pendants by Others)	
M2 Mounting Bracket Kit (Surface / Chain)	
M3 In-Row (Row Information Required)	
M6 Angled Mounting Bracket (Consult Agent)	
M9 Wall Mounting	
MISC	
IP54 IP rated (Individual Units Only)	
P9 Special Paint Color (Provide Paint Code & Chip)	
R5 Specular Aluminum Reflector	
S1 Special Material (Consult Agent)	
T3 Tamper Resistant	
T6 Screw-on End Caps	
T7 Hub Cap (In place of ring and plug)	

*S3 Stainless Steel Exterior (recommended for indirect exposure to water)
*S4 Stainless Steel Complete (recommended for direct exposure to water)

* Note: If Stainless Steel is ordered, 304 SS Standard, 316 SS and other materials available, consult agent. Additional information regarding applications and proper Stainless Steel selection found on page 21 of printed catalog, or technical section of web site.

▼ Available ONLY with standard painted reflector. Add hyphens between options

* Lamp Type Available for Hazardous Location.

INDIVIDUAL UNITS STANDARD.

Other Wattages and Lengths Available, Consult Factory.

NSF Food Processing Note:

Food Zone (F prefix) luminaires come in DIRECT CONTACT with food. Splash Zone (S prefix) units may become soiled, but are outside the danger of recontamination.

Information subject to change without notice. Lamps supplied by others.

© 2010 Paramount Industries, Inc. P.O. Box 259 Croswell, MI 48422

Hazardous Location:  

Food Processing: 

Project Information: