



MINILUX®

APPLICATIONS:

- UL/CUL Listed Dry Location
- Cleanroom (Classes 10-100,000; ISO Classes 4-9)
- Industrial & Commercial

BENEFITS:

- Luminaires adaptable to your specific needs

FEATURES:

- Designed for T5 lamps
- Premium electronic ballast standard
- Custom lengths available
- Every luminaire tested with lamps to assure customer satisfaction
- 5 year limited warranty
- Proudly made in **USA**

SPECIFICATIONS:

HOUSING:

Constructed of heavy duty extruded, anodized aluminum. Wireway access can be provided in the back.

REFLECTOR:

Fabricated of zinc coated steel, painted with a minimum reflectance of 88%.

END CAPS:

Injection molded of ABS plastic with drill center points provided on each end cap for accurate wireway access. Pre-punched end caps available, consult factory.

LENS:

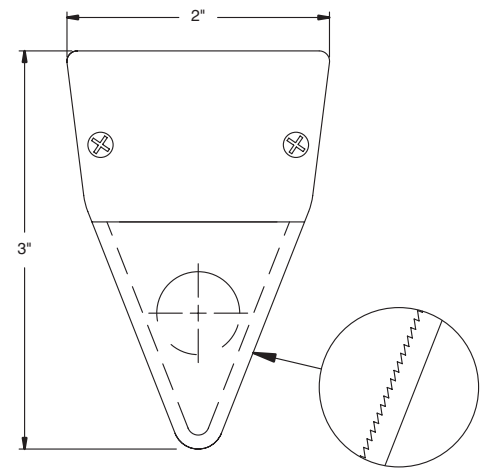
Extruded acrylic with a smooth exterior; interior light controlling longitudinal prisms direct light output into the room, providing UV filtering, while reducing glare and lamp image.

ELECTRICAL:

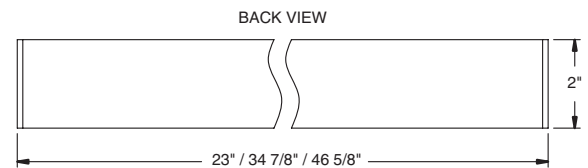
All ballasts and lampholders are UL Listed.

MOUNTING:

Designed for HEPA filter grid ceiling, custom detail available.

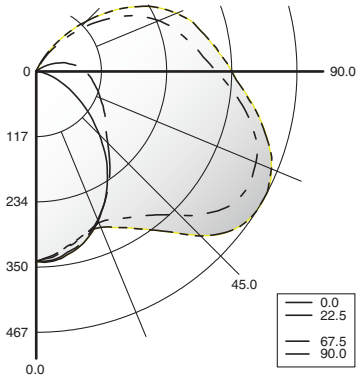


LIGHT CONTROL LENS



BACK VIEW

PHOTOMETRICS: For additional photometry, go to paramountlighting.com
 Model A9128T55, 4FT, White Reflector and Light-controlled Acrylic Lens, 1 28W T5 Fluorescent Lamp, Lamp Lumen Rating = 2900



Coefficients of Utilization, Zonal Cavity Method

Floor Cavity Reflectance: 20%

RC	.8				.7				.5				.3				.1				0
RW	.7	.5	.3	.1	.7	.5	.3	.1	.5	.3	.1	.5	.3	.1	.5	.3	.1	.5	.3	.1	0
R 0	90	90	90	90	86	86	86	86	77	77	77	69	69	69	61	61	61	58	58	58	58
C 1	78	73	68	64	74	69	64	60	61	58	54	54	51	49	47	45	43	40	40	40	40
R 2	70	61	54	49	65	58	51	46	51	46	42	45	41	37	39	36	33	30	30	30	30
3	62	52	45	38	58	49	42	37	44	38	33	38	34	30	33	30	26	23	23	23	23
4	57	46	38	31	53	43	36	30	38	32	27	33	28	24	29	25	22	19	19	19	19
5	52	40	32	26	48	38	30	25	33	27	23	29	24	20	26	21	18	16	16	16	16
6	47	36	28	22	44	34	26	21	30	24	19	26	21	17	23	19	15	13	13	13	13
7	44	32	24	19	41	30	23	18	27	21	17	24	19	15	21	17	13	11	11	11	11
8	40	29	22	17	38	27	21	16	24	19	15	22	17	13	19	15	12	10	10	10	10
9	38	26	19	15	35	25	19	14	22	17	13	20	15	12	17	13	10	9	9	9	9
10	35	24	17	13	33	23	17	13	21	15	11	18	14	10	16	12	9	8	8	8	8

Zonal Lumen Summary

Zone	Lumens	% Lamp	% Luminaire
0-30	251	8.7	10.7
0-40	423	14.6	18
0-60	890	30.7	37.9
0-90	1687	58.2	71.8
90-120	516	17.8	22
90-130	601	20.7	25.6
90-150	659	22.7	28.1
90-180	662	22.8	28.2
0-180	2349	81	100

Total Luminaire Optical Efficiency = 81.0%
 Spacing Criterion: 0° = 1.11, 90° = 1.65

MINILUX® LUMINAIRE ORDERING INFORMATION:

A9 SERIES	1 LAMP QTY	LAMP TYPE	LENS	OPTIONS	VOLTAGE
A9 Dry Location			5 Light Control Acrylic C9 Frosted Lens	DIMMING D2 Electronic Dimming FUSING F1 GLR/HLR Fusing (Fast) F2 GME/HLR Fusing (Slow) MISC M1 Pendant Mount (Pendants By Others) P9 Special Paint Color (Provide Paint Code & Chip)	120V-277V/60Hz STD 347V/60Hz 50Hz & Other Voltages Available
14T5 F14T5 (2FT) 0° 21T5 F21T5 (3FT) 0° 24T5H F24T5/HO (2FT) 0° 28T5 F28T5 (4FT) 0° 39T5H F39T5/HO (3FT) 0° 54T5H F54T5/HO (4FT) -20°				Color anodizing is available, consult factory Add hyphens between options	

Other Lengths Available, Consult Factory.

Project Information:

Information subject to change without notice. Lamps supplied by others.

© 2010 Paramount Industries, Inc. P.O. Box 259 Croswell, MI 48422

