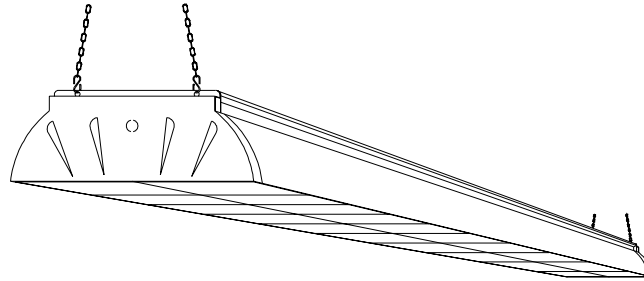




SUGGESTED MOUNTING FOR Y2 GYMNASIUM LITE

CHAIN

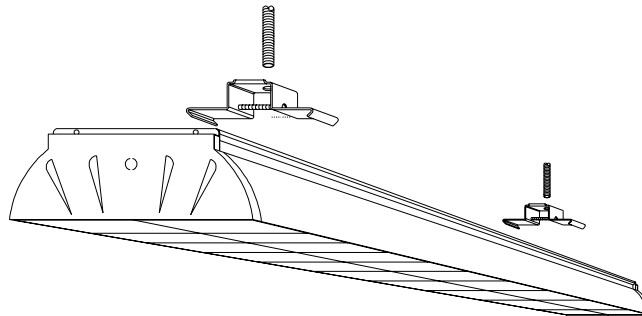
1. Insert "S" hooks into four (4) holes supplied in end caps of luminaire, hang luminaire from chain, close hooks.
2. Lower the reflector assembly by squeezing the spring loaded latch, allowing it to be supported by safety chains.
3. Power supply entry utilizes 1/2" knockout through luminaire end. Remove access plates on back of luminaire and make all necessary wiring connections, replace access plates.
4. Install lamps and replace reflector.



STEM

1. Mount ice-tong hangers to 3/8" rod.
2. Mount luminaire spine into ice-tong hangers and secure by tightening retaining screw on side of hanger.
3. Lower the reflector assembly by squeezing the spring loaded latch, allowing it to be supported by safety chains.
4. Power supply entry utilizes 1/2" knockout through luminaire end. Remove access plates on back of luminaire and make all necessary wiring connections, replace access plates.
5. Install lamps and replace reflector.

NOTE: This luminaire is not made to be wired through pendants.



Cleaning Instructions: Wipe luminaire with a soft cloth slightly dampened with warm, soapy water. On stainless steel units, tightly adhering deposits may be removed by using a stainless steel polishing powder. Never use steel wool or steel brushes on stainless steel. Always rub in the directions of the polish lines.

Note: All luminaires to be installed by a qualified electrician.
Mounting and electrical hardware not supplied by Paramount Industries unless otherwise noted.