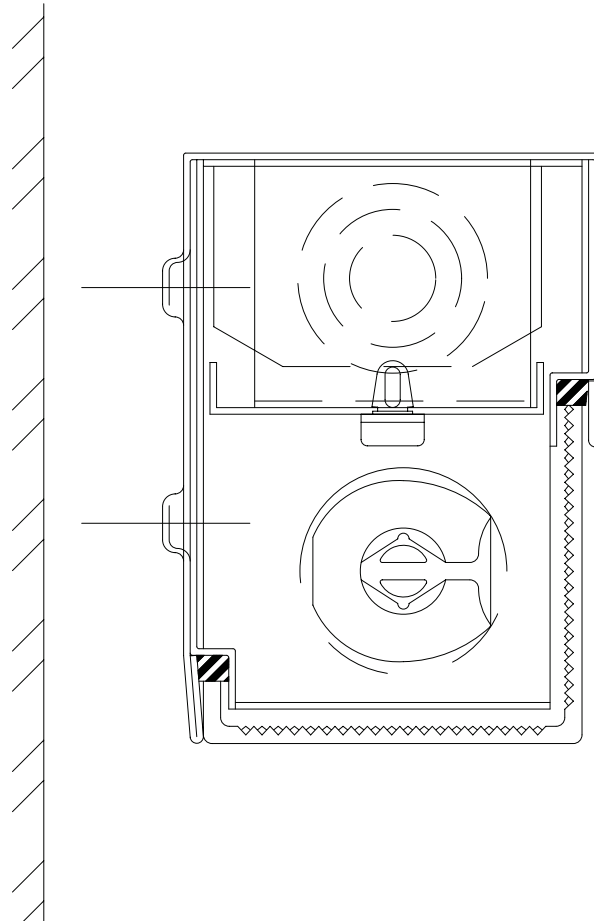




SUGGESTED MOUNTING FOR W9 WALL LITE

1. Remove threaded rings and end caps. Remove threaded plug from end to be wired.
2. Grasp lens on one end and remove from channel.
3. Remove reflector/ballast cover by turning the two (2) quarter-turn fasteners.
4. Mount luminaire utilizing four (4) mounting holes.
5. When end wiring this luminaire, wires must pass through the electrical fitting, threaded ring and end cap, prior to making electrical connections.
6. Replace reflector/ballast cover, lamp(s), lens, end caps and threaded rings.



Cleaning Instructions: Wipe luminaire with a soft cloth slightly dampened with warm, soapy water. On stainless steel units, tightly adhering deposits may be removed by using a stainless steel polishing powder. Never use steel wool or steel brushes on stainless steel. Always rub in the directions of the polish lines.

Note: All luminaires to be installed by a qualified electrician.
Mounting and electrical hardware not supplied by Paramount Industries unless otherwise noted.