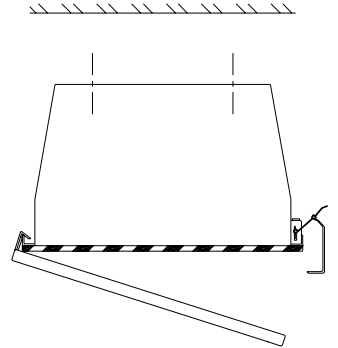




# SUGGESTED MOUNTING FOR T1 E&G INDUSTRIAL LITE

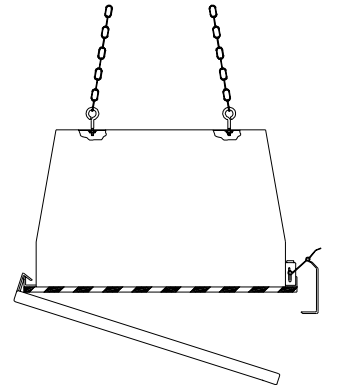
## **SURFACE**

1. Unlatch lens and remove from retaining groove on opposite side.
2. Remove reflector/ballast cover by turning two (2) quarter-turn fasteners.
3. Mount luminaire utilizing four (4) mounting holes provided.
4. Make all necessary wiring connections.
5. Replace reflector/ballast cover, lamp(s) and lens.



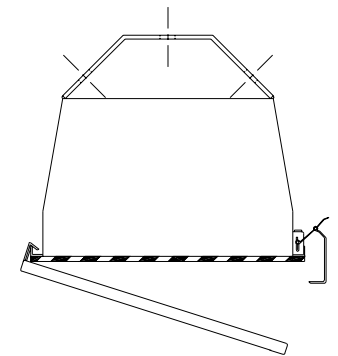
## **CHAIN**

1. Unlatch lens and remove from retaining groove on opposite side.
2. Remove reflector/ballast cover by turning two (2) quarter-turn fasteners.
3. Insert eyebolts into mounting holes and secure with washers and nuts.
4. Mount luminaire to chain, close hooks.
5. Make all necessary wiring connections.
6. Replace reflector/ballast cover, lamp(s) and lens.



## **SURFACE (With Supplied Mounting Bracket)**

1. Unlatch lens and remove from retaining groove on opposite side.
2. Remove reflector/ballast cover by turning two (2) quarter-turn fasteners.
3. Mount luminaire utilizing mounting holes provided in mounting brackets.
4. Make all necessary wiring connections.
5. Replace reflector/ballast cover, lamp(s) and lens.



**Cleaning Instructions:** Wipe luminaire with a soft cloth slightly dampened with warm, soapy water. On stainless steel units, tightly adhering deposits may be removed by using a stainless steel polishing powder. Never use steel wool or steel brushes on stainless steel. Always rub in the directions of the polish lines.

**Note:** All luminaires to be installed by a qualified electrician.  
Mounting and electrical hardware not supplied by Paramount Industries unless otherwise noted.