



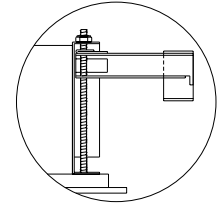
SUGGESTED MOUNTING FOR SURGICAL TROFFER

GUIDE FOR SHEETROCK & PLASTER FRAMES

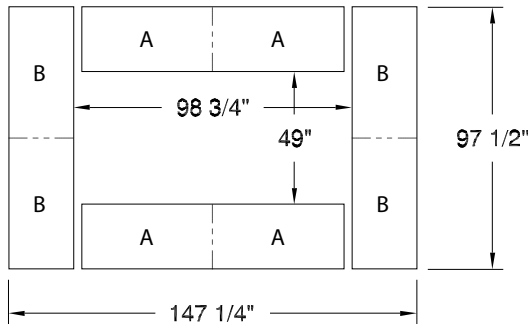
A. Closed Pattern

Side fixtures (A) must be installed first. End fixtures (B) should be installed next. One swingbar on each end fixture will tighten down on the trim frame of installed side fixture. Refer to special swing bar illustration.

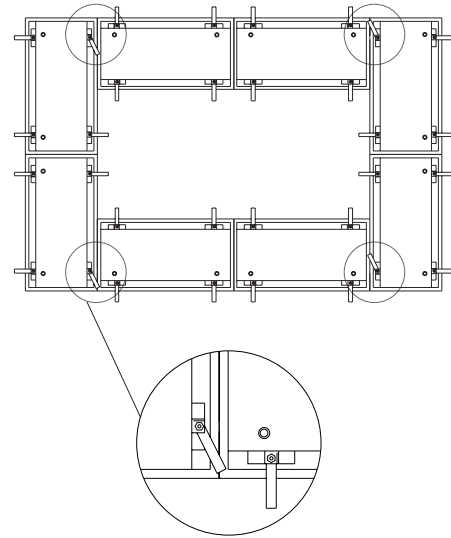
NOTE: All surgical troffers are identical in construction. Proper lens orientation (see label on trim frame) is the only consideration required. Any fixture can be used as a side or end.



Special Swing Bar

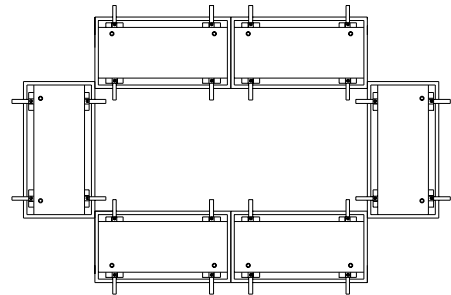
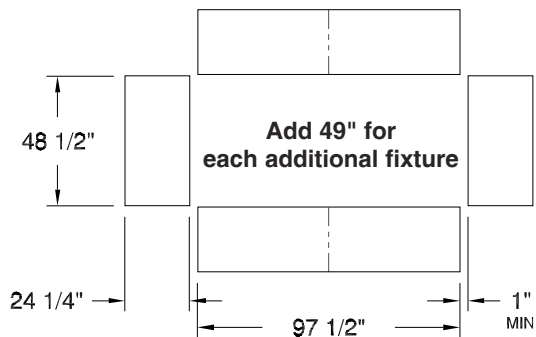


Add 49" for each additional fixture



B. Open Pattern

Fixtures may be installed in any order. Proper lens orientation is the only consideration. (see label on trim frame)



Cleaning Instructions: Wipe luminaire with a soft cloth slightly dampened with warm, soapy water. On stainless steel units, tightly adhering deposits may be removed by using a stainless steel polishing powder. Never use steel wool or steel brushes on stainless steel. Always rub in the directions of the polish lines.

Note: All luminaires to be installed by a qualified electrician. Mounting and electrical hardware not supplied by Paramount Industries unless otherwise noted.