

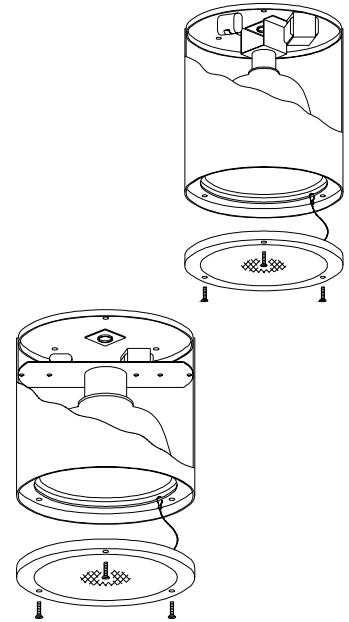


SUGGESTED MOUNTING FOR HID CYLINDER LITES

Series R1, R2, R3

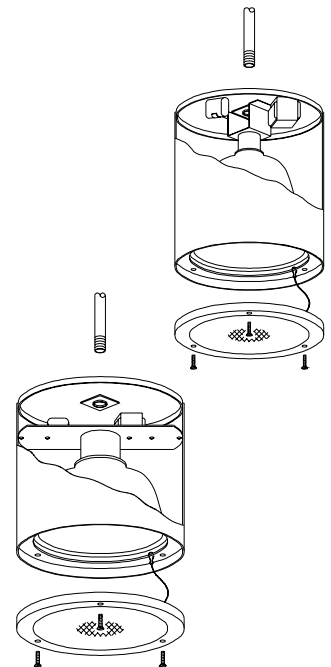
SURFACE

1. Remove lens frame by loosening three (3) captive screws, unclip safety snell.
2. Remove reflector by:
13" dia. turn quarter-turn fasteners.
16" & 20" dia. loosening three screws.
3. Remove ballast mounting bracket by loosening two (2) screws.
(16" & 20" dia. models only)
4. Mount luminaire utilizing three (3) mounting holes.
5. Make all necessary wiring connections.
6. Replace ballast mounting bracket (16" & 20"), reflector, install lamp, safety snell and lens frame.



PENDANT

1. Remove lens frame by loosening three (3) captive screws, unclip safety snell.
2. Remove reflector by:
13" dia. turn quarter-turn fasteners.
16" & 20" dia. loosening three screws.
3. Remove ballast mounting bracket by loosening two (2) screws.
(16" & 20" dia. models only)
4. Mount luminaire to pendant.
5. Make all necessary wiring connections.
6. Replace ballast mounting bracket (16" & 20"), reflector, install lamp, safety snell and lens frame.



Cleaning Instructions: Wipe luminaire with a soft cloth slightly dampened with warm, soapy water. On stainless steel units, tightly adhering deposits may be removed by using a stainless steel polishing powder. Never use steel wool or steel brushes on stainless steel. Always rub in the directions of the polish lines.

Note: All luminaires to be installed by a qualified electrician.
Mounting and electrical hardware not supplied by Paramount Industries unless otherwise noted.