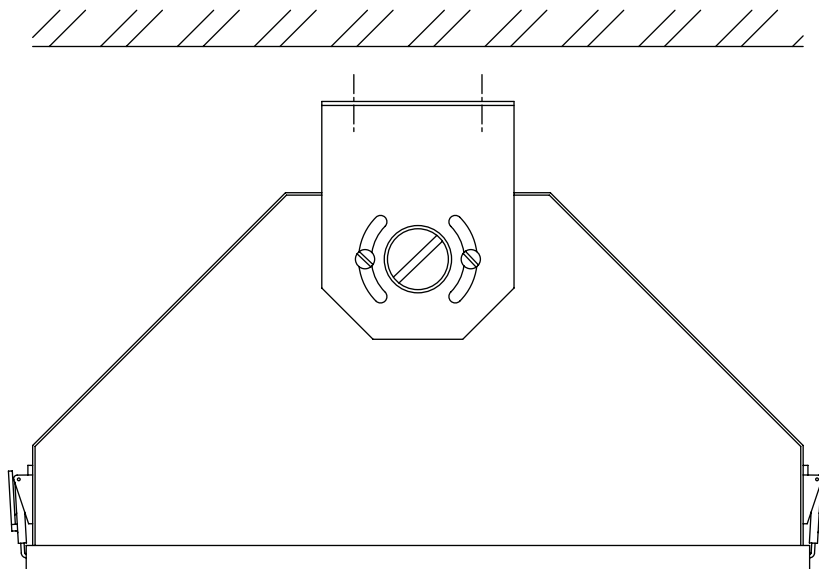
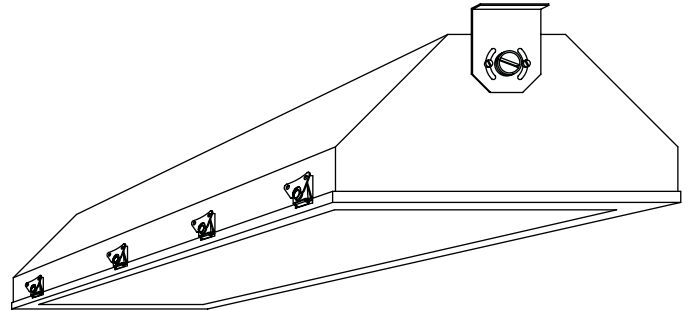




SUGGESTED MOUNTING FOR PARAMYD[®] luminaires

Series T5, T6

1. Remove lens frame assembly by releasing all latch assemblies.
2. Remove the reflector/ballast cover by turning four (4) quarter-turn fasteners.
3. Remove screws securing mounting brackets. Rotate bracket 180° around hub to mounting position, replace screws and tighten.
4. Mount to surface utilizing holes provided in mounting bracket.
5. Make all necessary wiring connections.
6. Replace the reflector/ballast cover, install lamps, and replace the lens frame assembly, securing with latches.



Cleaning Instructions: Wipe luminaire with a soft cloth slightly dampened with warm, soapy water. On stainless steel units, tightly adhering deposits may be removed by using a stainless steel polishing powder. Never use steel wool or steel brushes on stainless steel. Always rub in the directions of the polish lines.

Note: All luminaires to be installed by a qualified electrician.
Mounting and electrical hardware not supplied by Paramount Industries unless otherwise noted.