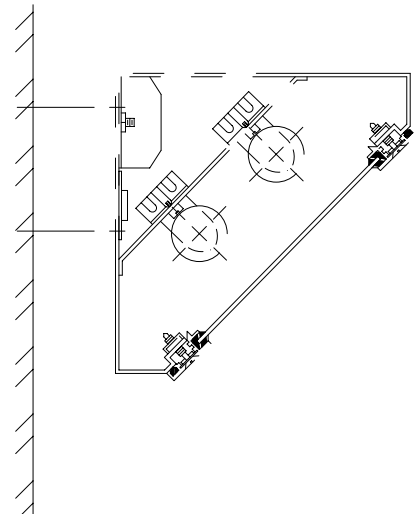
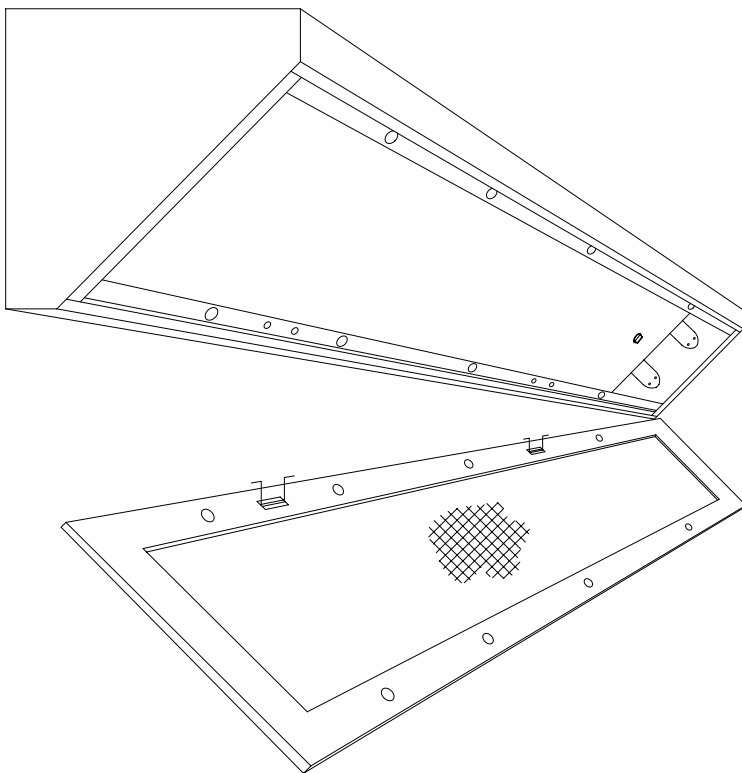


## Series K0, K7, K8

1. Open luminaire by loosening all captive screws and removing lens assembly by squeezing the two (2) wire hinges or unclipping the two (2) safety snells, whichever is being used.
2. Remove the reflector by turning the two (2) quarter-turn fasteners.
3. Mount luminaire utilizing the four (4) mounting holes.
4. Make all necessary wiring connections.
5. Replace reflector/ballast cover, lamp(s), reattach wire hinges or safety snells and secure lens assembly.



**Cleaning Instructions:** Wipe luminaire with a soft cloth slightly dampened with warm, soapy water. On stainless steel units, tightly adhering deposits may be removed by using a stainless steel polishing powder. Never use steel wool or steel brushes on stainless steel. Always rub in the directions of the polish lines.

**Note:** All luminaires to be installed by a qualified electrician.  
Mounting and electrical hardware not supplied by Paramount Industries unless otherwise noted.

REV 10/03