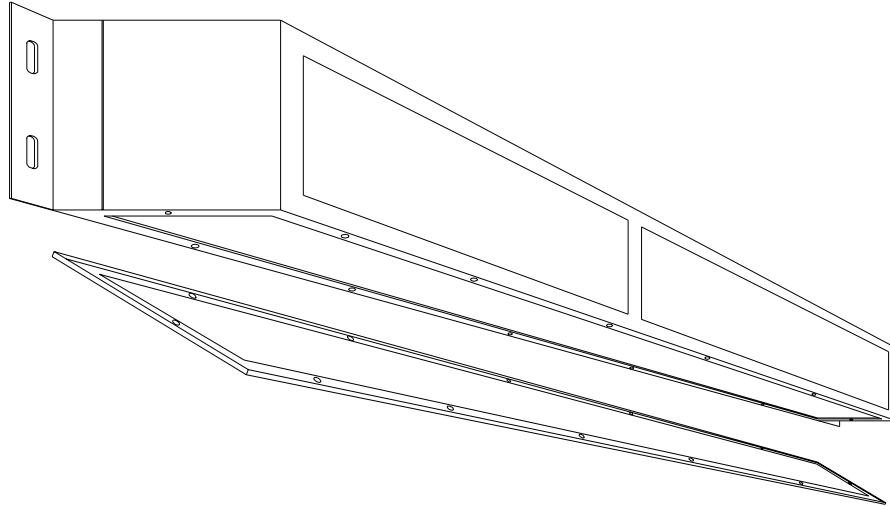




SUGGESTED MOUNTING FOR FJ9 COOKING HOOD LITE

1. Remove lens frame assembly by loosening all captive screws.
2. Mount luminaire utilizing four (4) slotted mounting holes provided.
3. Remove reflector/ballast cover by turning two (2) quarter-turn fasteners.
4. Make all necessary wiring connections.
5. Replace reflector/ballast cover, install lamps, lens frame assembly.



Cleaning Instructions: Wipe luminaire with a soft cloth slightly dampened with warm, soapy water. On stainless steel units, tightly adhering deposits may be removed by using a stainless steel polishing powder. Never use steel wool or steel brushes on stainless steel. Always rub in the directions of the polish lines.

Note: All luminaires to be installed by a qualified electrician.
Mounting and electrical hardware not supplied by Paramount Industries unless otherwise noted.