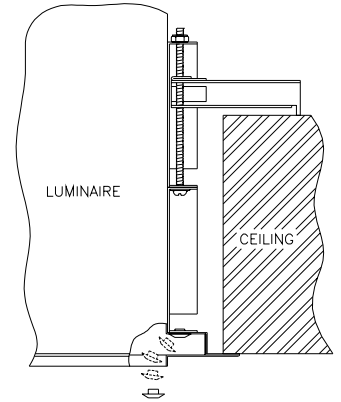
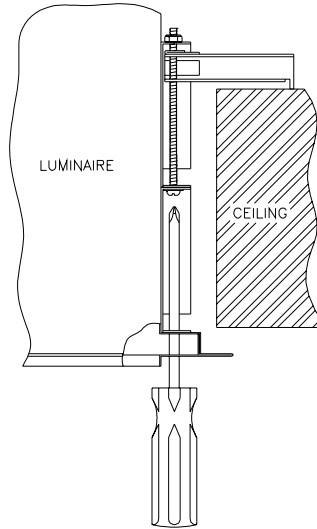




INSTALLATION INSTRUCTIONS FOR EXTENDED SWING BAR

AFTER LUMINAIRE HAS BEEN PLACED INTO OPENING:

1. Insert phillips head screwdriver into 1/2" hole in housing trim frame.
2. Tighten screw until housing trim frame is adequately drawn to the surface.
3. Now insert supplied white plug into the 1/4" hole of the housing.



*Note: All luminaires to be installed by a qualified electrician.
Mounting and electrical hardware not supplied by Paramount Industries unless otherwise noted.*

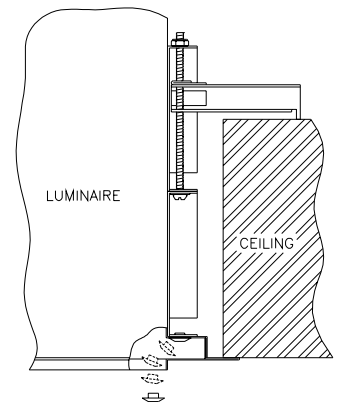
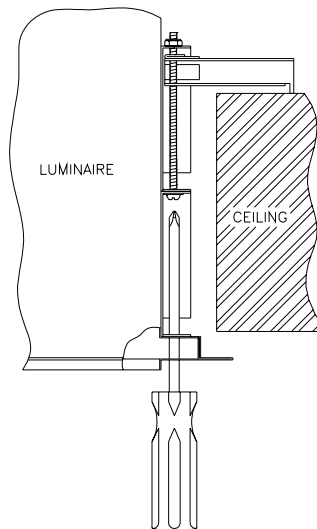
32



INSTALLATION INSTRUCTIONS FOR EXTENDED SWING BAR

AFTER LUMINAIRE HAS BEEN PLACED INTO OPENING:

1. Insert phillips head screwdriver into 1/2" hole in housing trim frame.
2. Tighten screw until housing trim frame is adequately drawn to the surface.
3. Now insert supplied white plug into the 1/4" hole of the housing.



*Note: All luminaires to be installed by a qualified electrician.
Mounting and electrical hardware not supplied by Paramount Industries unless otherwise noted.*