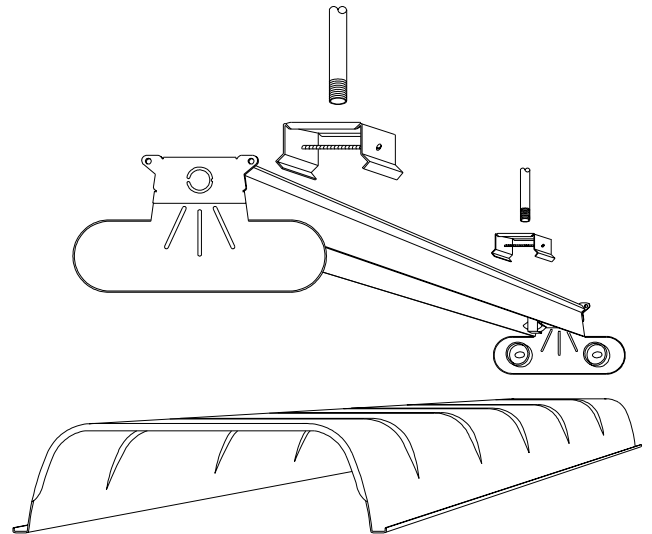


Series M2, M4, M6

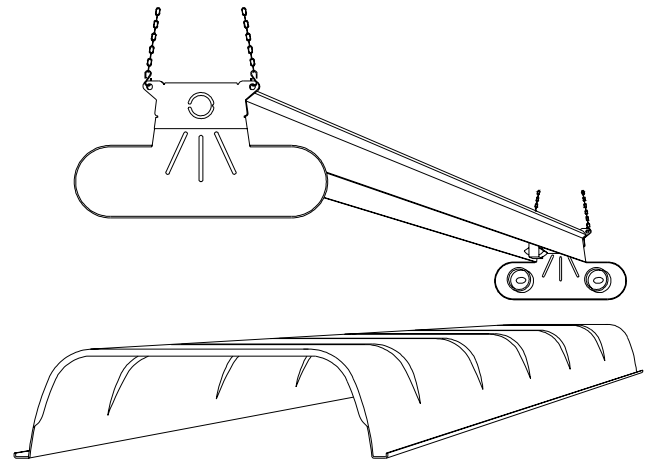
SURFACE/STEM

1. Mount two (2) ice tong hangers to surface 3/8" threaded rod where luminaire is to be mounted, loosen retaining bolt.
2. Remove reflector by squeezing spring loaded retainer latches.
3. Mount luminaire to ice tong hangers: Insert spine of luminaire into hanger and tighten retainer bolts.
4. Power supply entry utilizes 1/2" - 3/4" knockout through luminaire end. Make all necessary wiring connections.
5. Replace reflector and lamps.



CHAIN

1. Remove reflector by squeezing spring loaded retainer latches.
2. Insert "S" hooks into four (4) holes in the end caps, hook to chain and close hooks.
3. Power supply entry utilizes 1/2" - 3/4" knockout through luminaire end. Make all necessary wiring connections.
4. Replace reflector and lamps.



Cleaning Instructions: Wipe luminaire with a soft cloth slightly dampened with warm, soapy water. On stainless steel units, tightly adhering deposits may be removed by using a stainless steel polishing powder. Never use steel wool or steel brushes on stainless steel. Always rub in the directions of the polish lines.

Note: All luminaires to be installed by a qualified electrician.
Mounting and electrical hardware not supplied by Paramount Industries unless otherwise noted.

REV 10/03