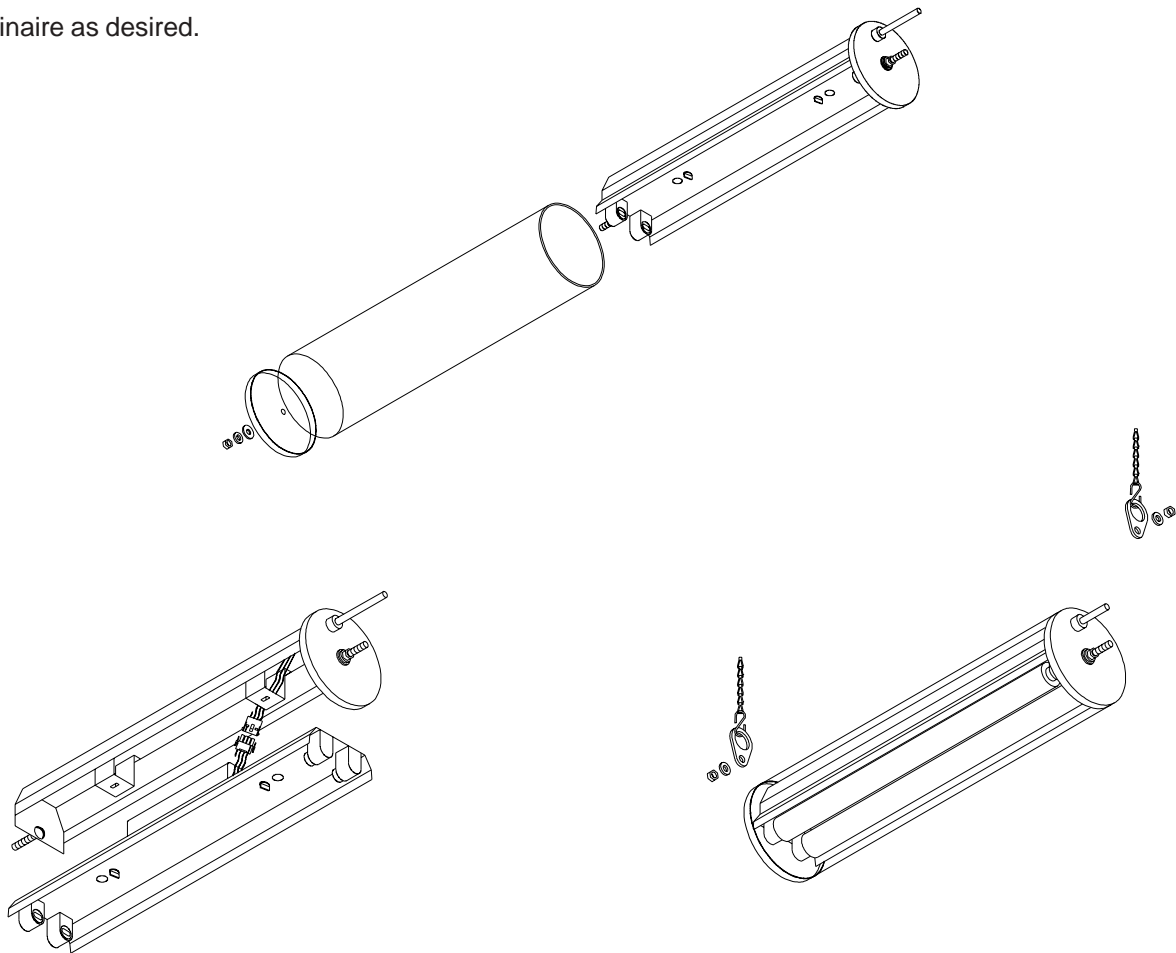


1. Remove nonelectrical end cap by loosening and removing hex nut and washers.
2. Slide lamp and ballast assembly, with electrical end cap still intact, out of tube.
3. Install lamps, slide lamp and ballast assembly into tube. Secure end cap with fastener and washer.  
For hose down areas, use 15 to 18 foot pounds maximum torque.
4. Make all necessary wiring connections to supplied wire.
5. Hang luminaire as desired.



**Cleaning Instructions:** Wipe luminaire with a soft cloth slightly dampened with warm, soapy water. On stainless steel units, tightly adhering deposits may be removed by using a stainless steel polishing powder. Never use steel wool or steel brushes on stainless steel. Always rub in the directions of the polish lines.

**Note:** All luminaires to be installed by a qualified electrician.  
Mounting and electrical hardware not supplied by Paramount Industries unless otherwise noted.

REV 10/03