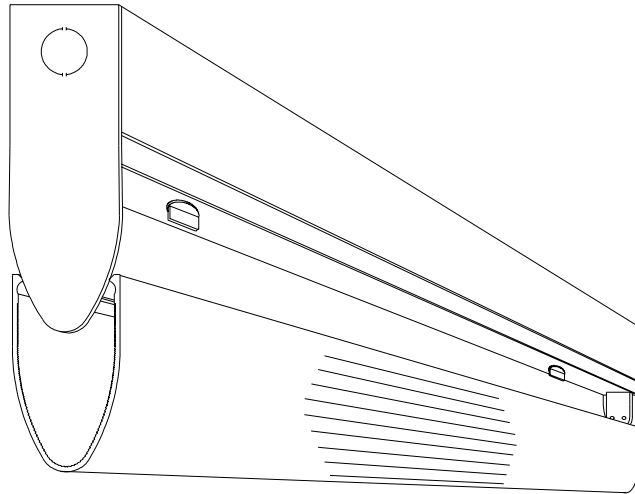




SUGGESTED MOUNTING FOR A1 AEROLUX[®] luminaires

1. Lightly pry lens away from housing starting at one end, then remove lens by pulling firmly.
2. Remove reflector/ballast cover by turning two (2) quarter-turn fasteners.
3. Mounting holes are not provided. The contractor must determine location and optimum position and mount as needed.
4. Make all necessary wiring connections.
5. Replace reflector/ballast cover, lamp(s) and lens.



Cleaning Instructions: Wipe luminaire with a soft cloth slightly dampened with warm, soapy water. On stainless steel units, tightly adhering deposits may be removed by using a stainless steel polishing powder. Never use steel wool or steel brushes on stainless steel. Always rub in the directions of the polish lines.

Note: All luminaires to be installed by a qualified electrician.
Mounting and electrical hardware not supplied by Paramount Industries unless otherwise noted.